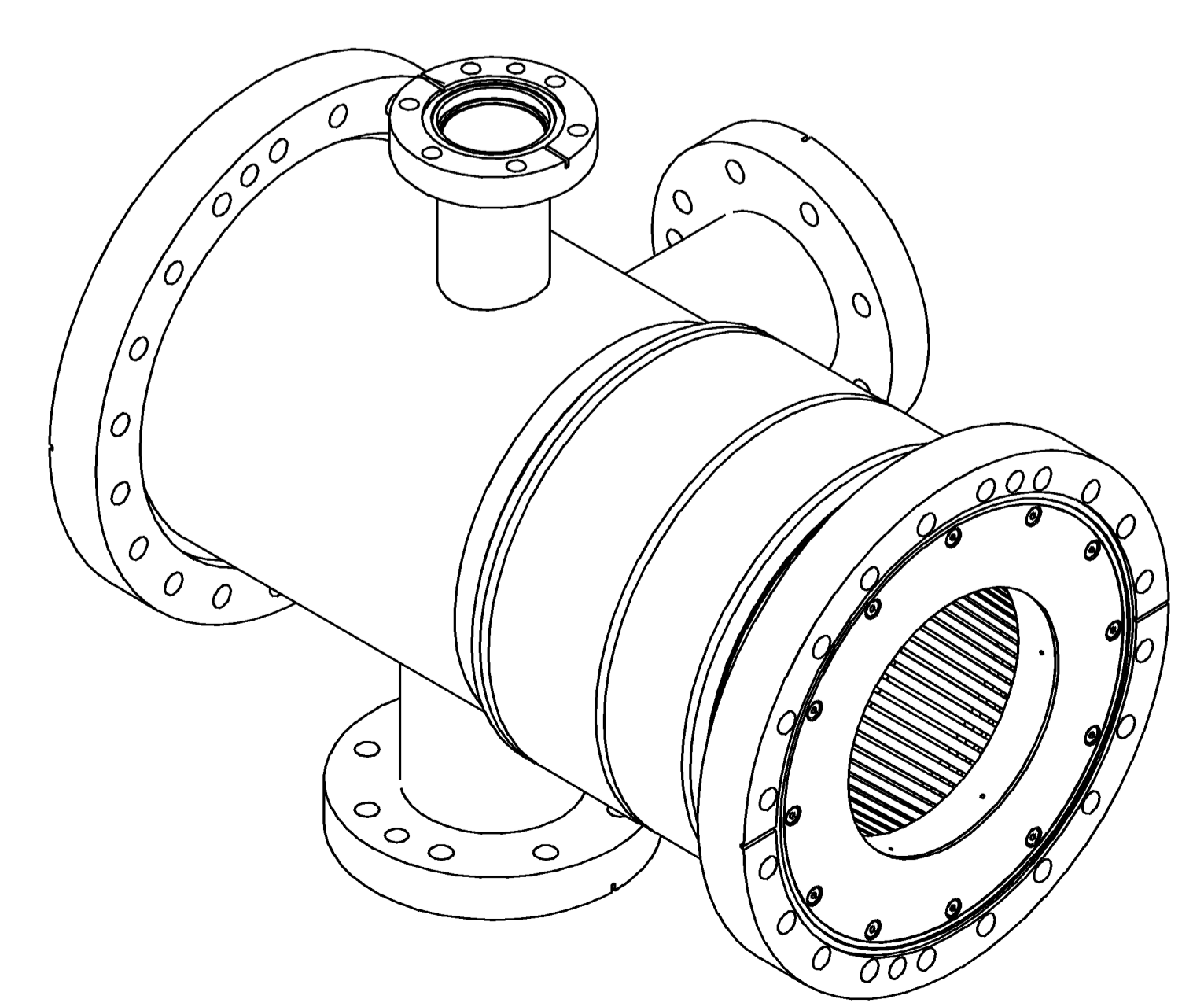


NORMAL OPERATING CONDITION:
 - WORKING PRESSURE
 EXTERNAL: Atmospheric
 INTERNAL: 10⁻¹¹ mbar
 - WORKING TEMPERATURE: 20° - 250° MASS : 12 Kg



QTY	DESCRIPTION	POS.	MAT.	OBSERVATIONS	REF. CERN
1	TENSION SPRING FOR Ø 100 -	5		LHEVSR...0190	
24	HEX. COUNTERSUNK SCREW M3x6	4	Stainless steel A4 SILVER COATED	BOSSARD BN4.719	
1	TRANS. TUBE FLANGE Ø 100 L 255	3		LHEVSR...0188	
1	RF CONTACT Ø 100 -	2		LHEVSR...0189	
1	LEFT WARM BELLOWS DN50 3 PORTS -	1		LHEVBU...0107	

IND.	DATE	NOM/NAME	ZONE	MODIFICATION
23				
22				
21				
20				
19				
18				
17				
16				
15				
14				
13				
12				
11				
10				
9				
8				
7				
6				
5				
4				
3				
2				
1				

WARM MODULE TYPE VMZAD		DES/DRA. J. VENTURINI 2006-04-10 CONTROLLED L. FAISANEL 2006-04-12 RELEASED A. VITTO 2006-04-12 APPROVED LHEV.VM... WARM00000.V04.V0402R01L REPLACE/REPLACES	REF. CERN LHCVMZAD0001 SIZE 0
---------------------------	--	--	----------------------------------

PROJECTIONS EXPLODED VIEW
 DRAWING ACCORDING TO CERN DRAWING STANDARDS
 THIS DRAWING MAY BE USED FOR COMMERCIAL PURPOSES WITHOUT AUTHORIZATION