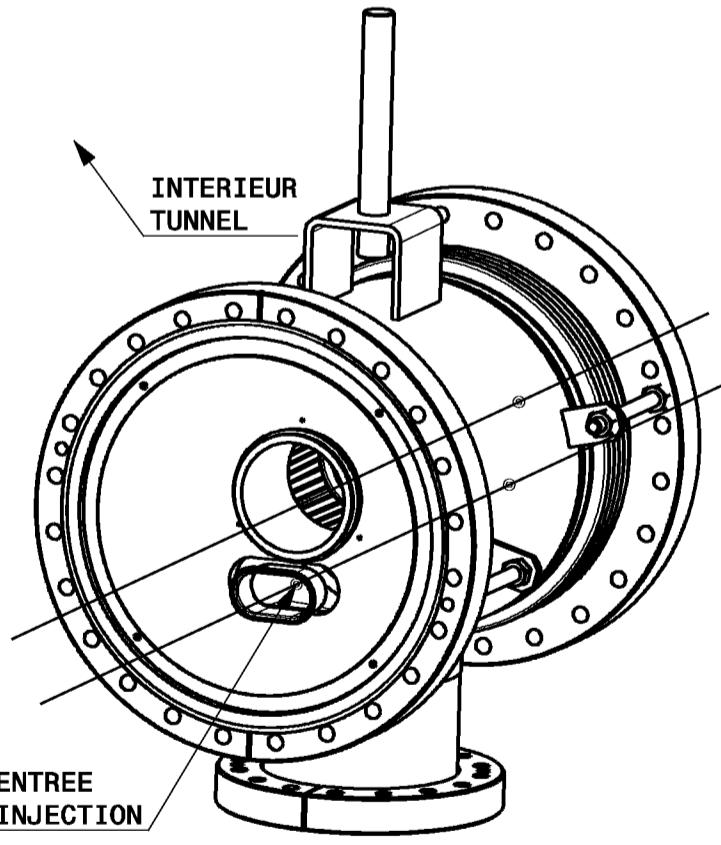
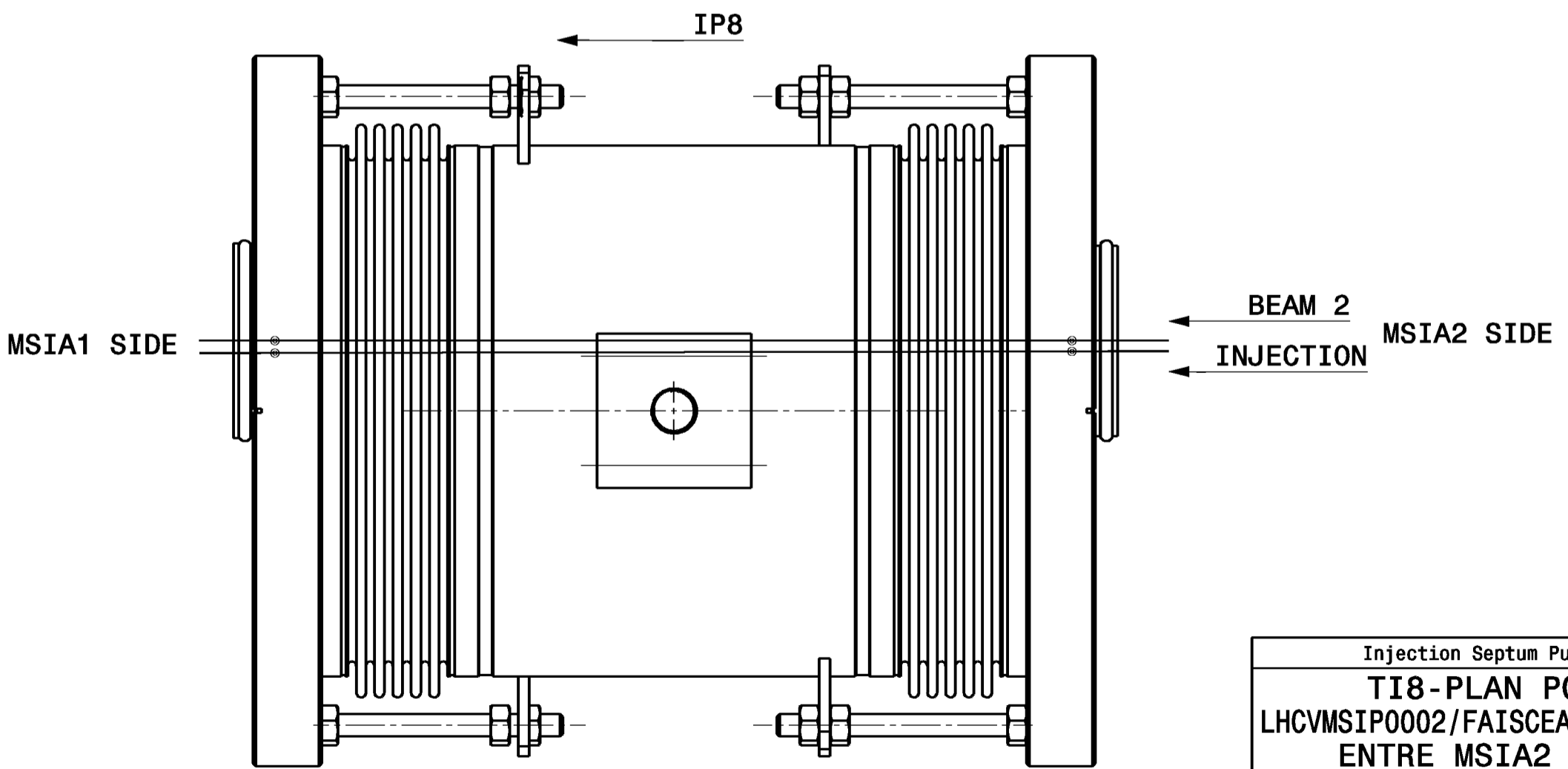
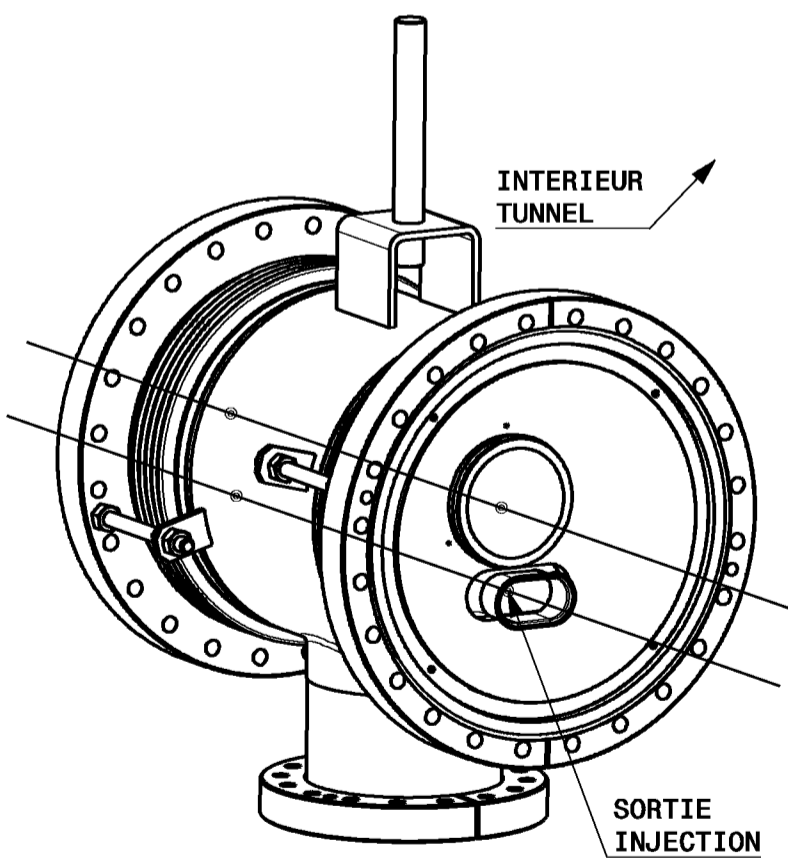
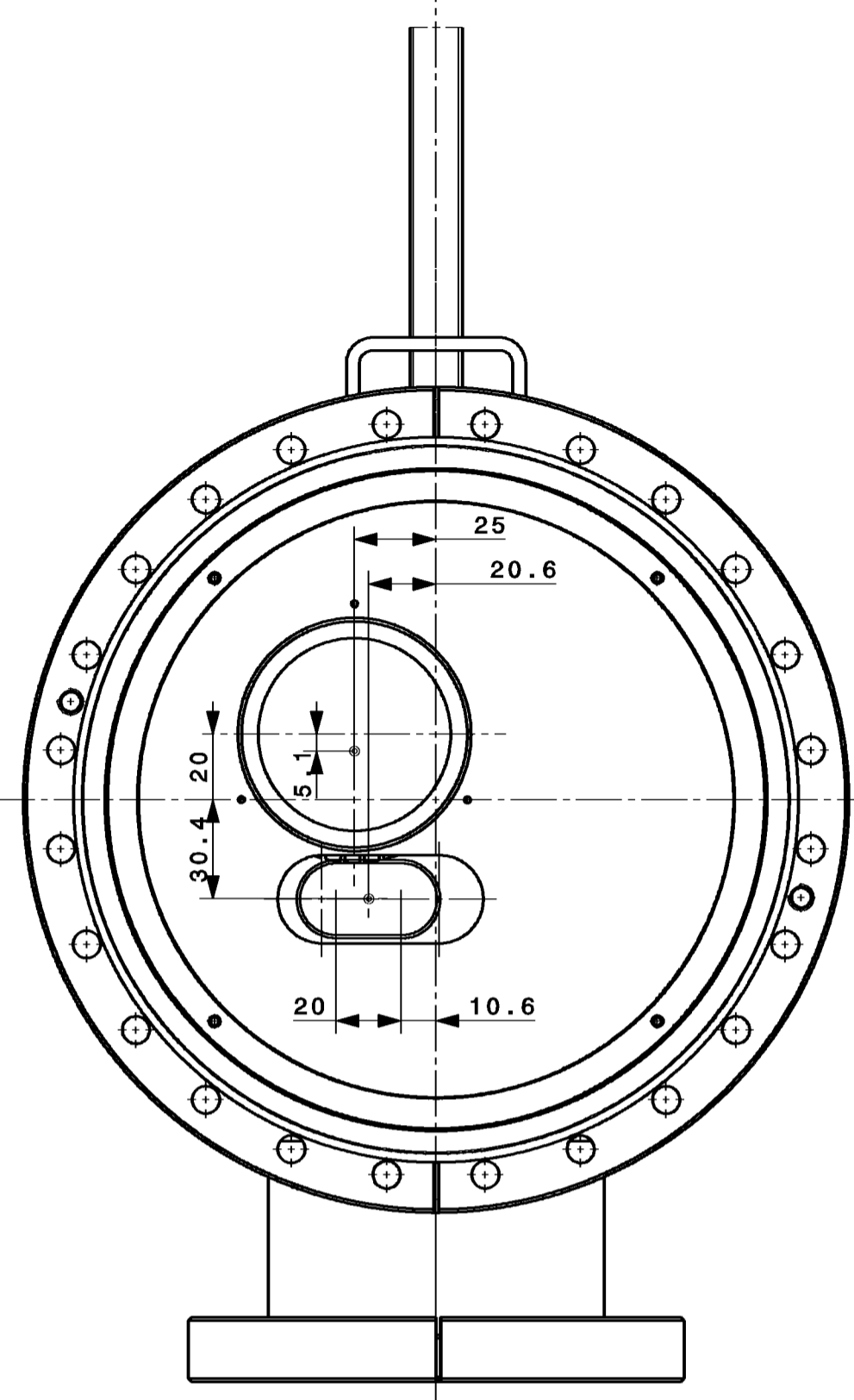
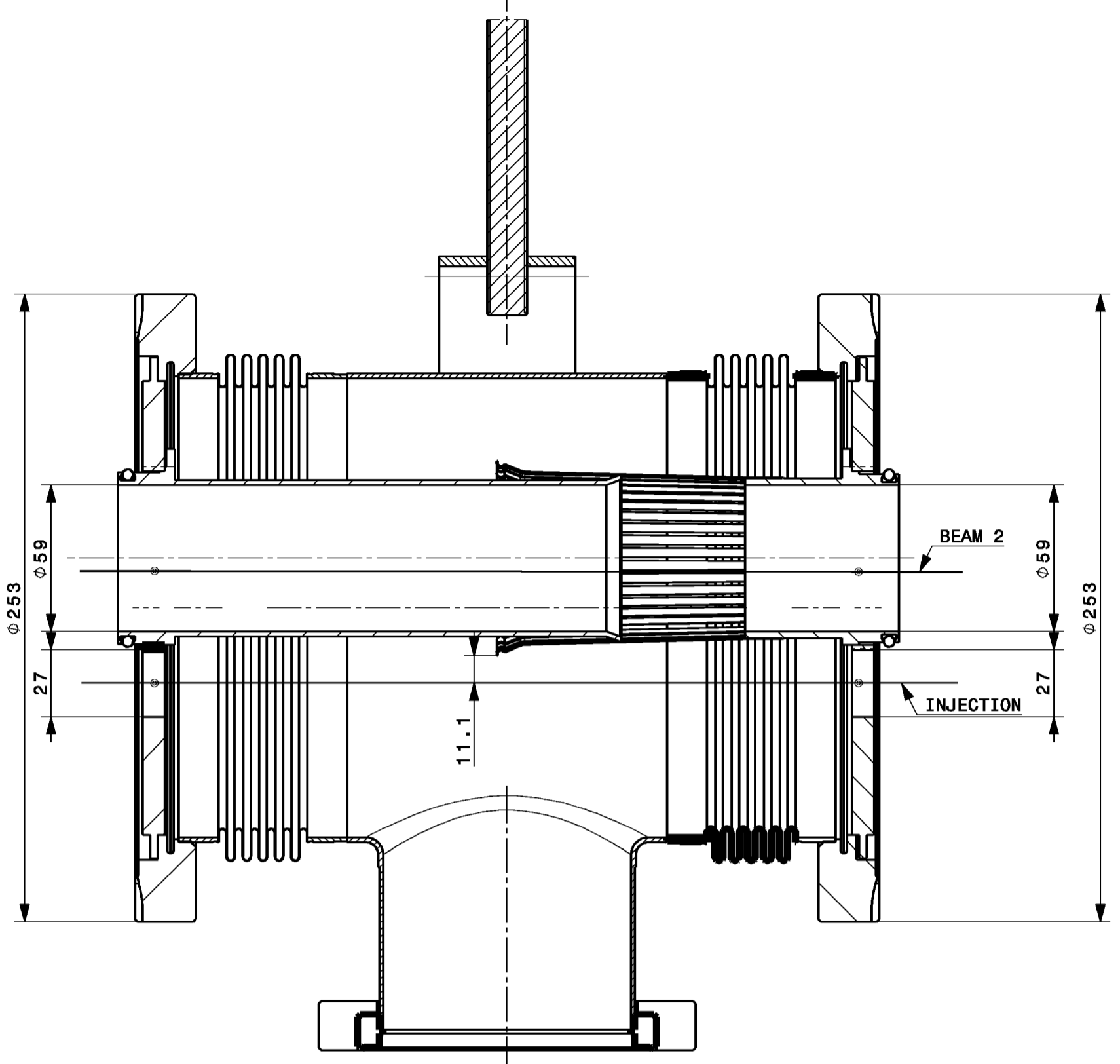
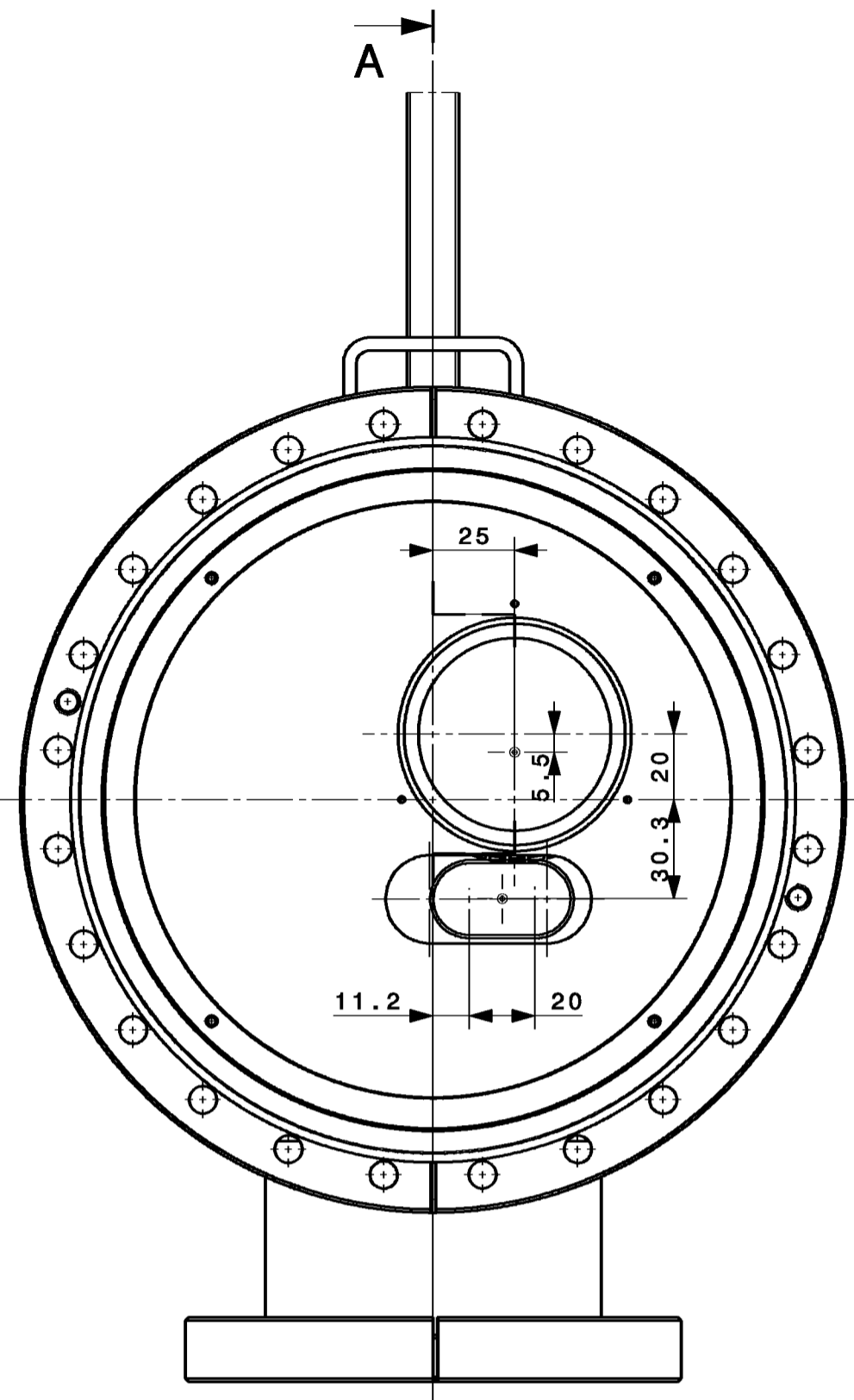


DESSIN, RIGOSITE, TOLERANCES
SELON NORMES ISO
DRAWING, RUGOSITY, TOLERANCES
ACCORDING TO ISO STANDARDS

PROJECTION

ORGANISATION EUROPEENNE POUR
LA RECHERCHE NUCLEAIRE
EUROPEAN ORGANIZATION FOR
NUCLEAR RESEARCH
CERN
DESIGN IS NOT TO BE USED FOR
COMMERCIAL PURPOSES WITHOUT AUTHORIZATION



VMSIP 0002

Injection Septum Pumping Module		DES/DRA.	A TURGUN	2012-02-10
TI8-PLAN POSITION		CONTROLLED	Y MUTTONI	2012-03-21
LHCVMSIP0002/FAISCEAUX B2+INJECTION		RELEASED	G SCHNEIDER	2012-03-22
ENTRE MSIA2 ET MSIA1		APPROVED		
SCALE		CAD Document Number ST0318725_03		
1:2		REPLACES		
RELEASED BY	FOR INFORMATION	GAC	LHCVMSI_0011	SIZE IND.
PROJECT ENGINEER		-	2	