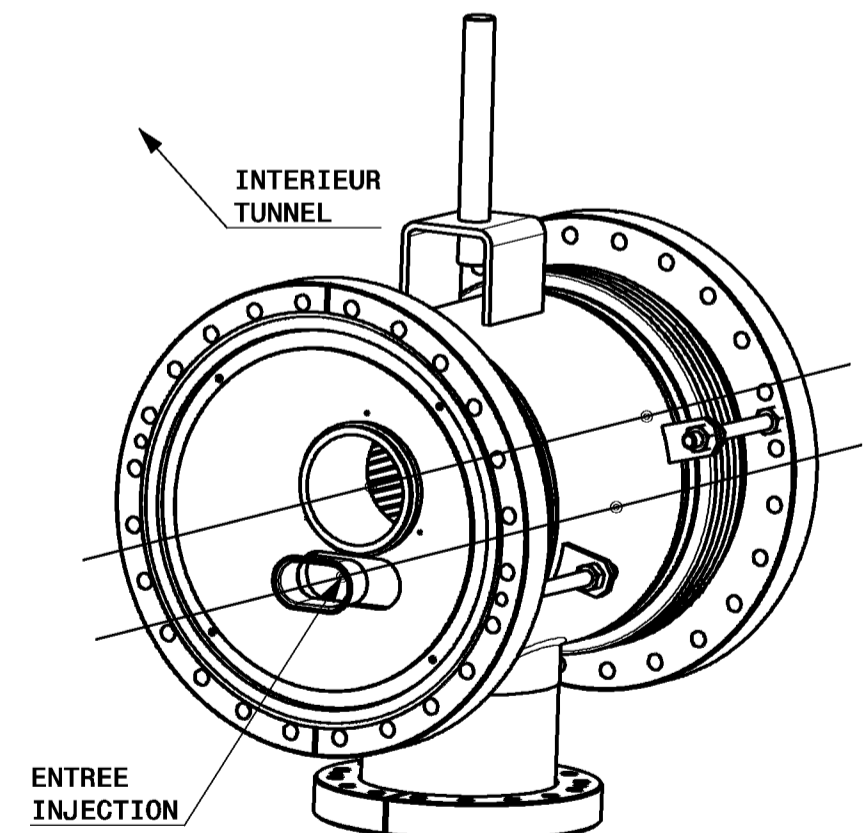
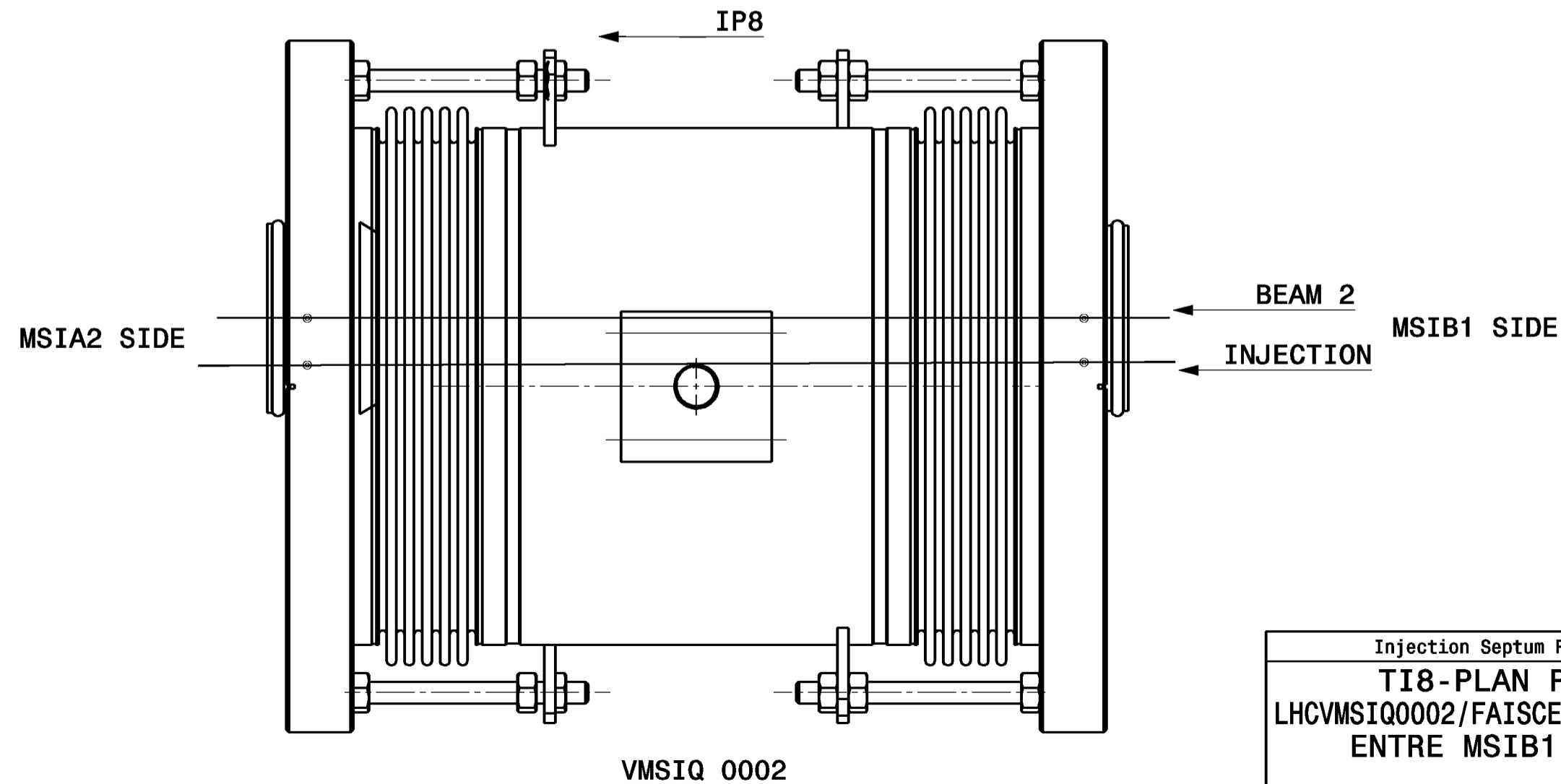
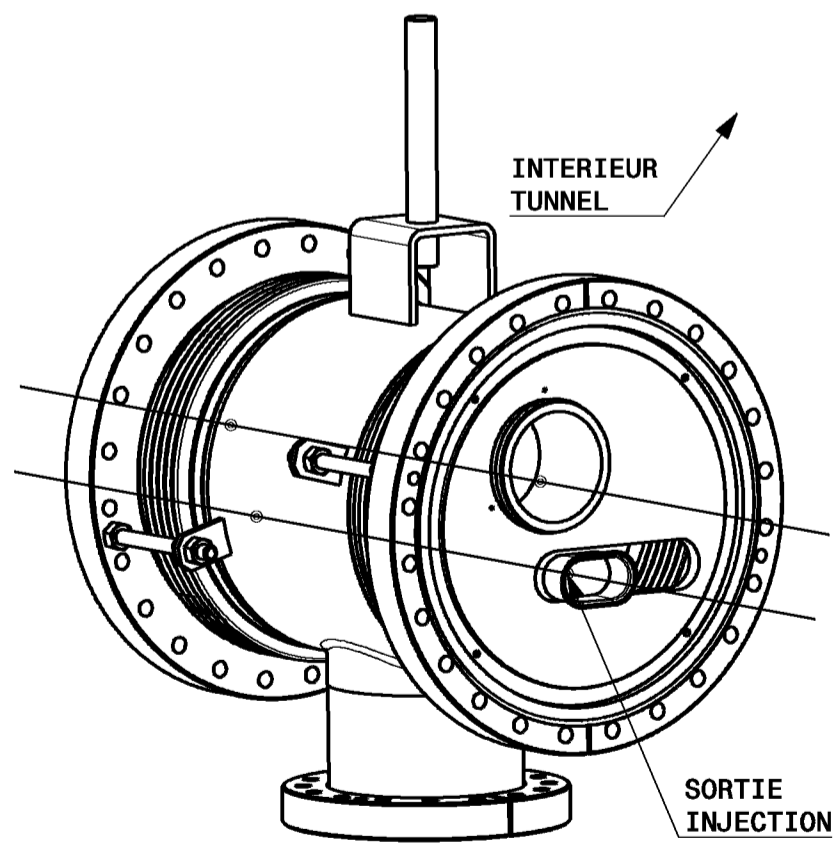
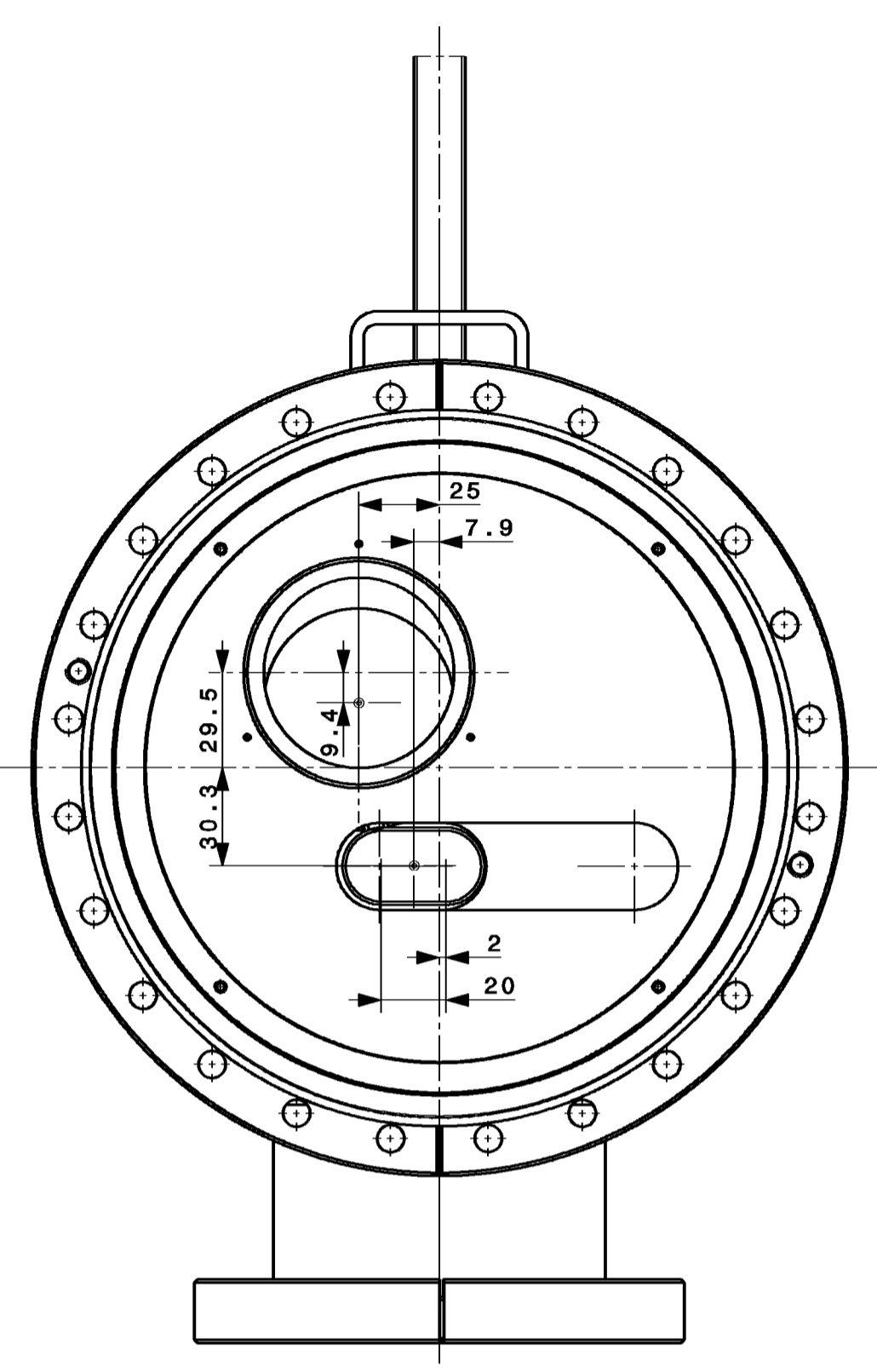
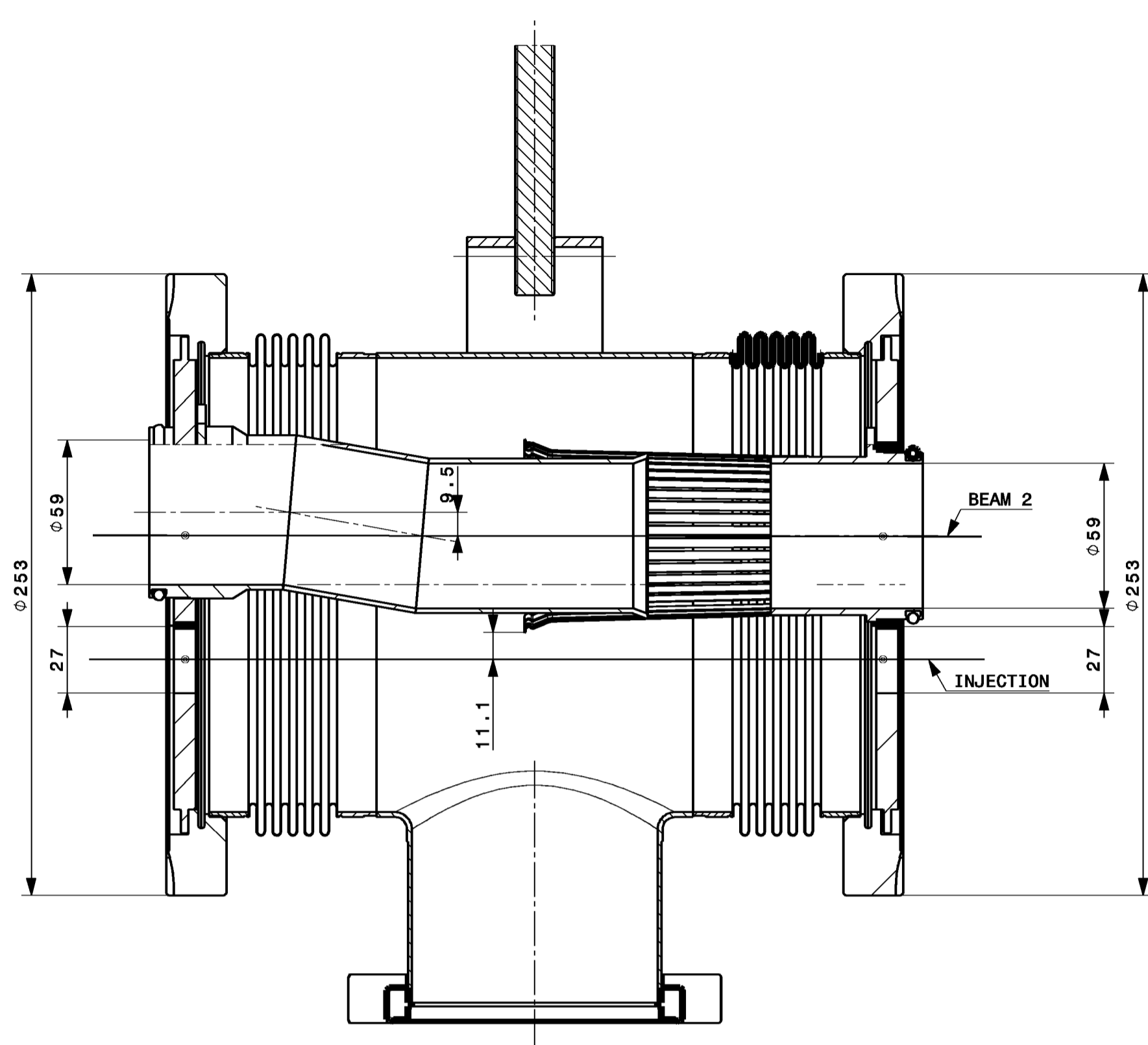
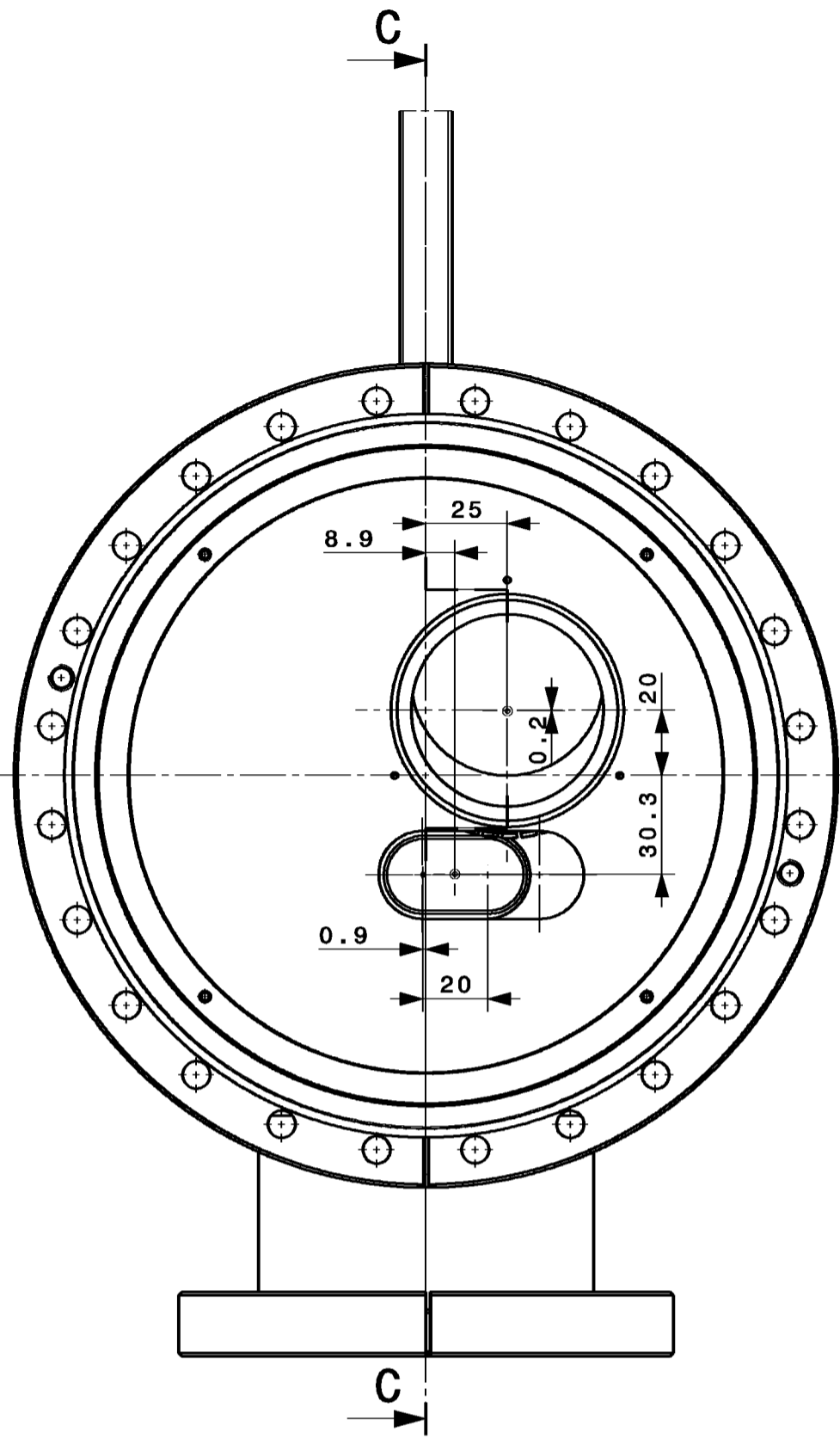


DESIGN, RIGIDITY, TOLERANCES  
 SELON NORMES ISO  
 DRAWING, RIGIDITY, TOLERANCES  
 ACCORDING TO ISO STANDARDS

PRODUCTION

ORGANISATION EUROPEENNE POUR  
 LA RECHERCHE NUCLEAIRE  
 EUROPEAN ORGANIZATION FOR  
 NUCLEAR RESEARCH  
 CERN  
 Le dessin ne peut être utilisé à des fins commerciales sans autorisation écrite  
 This drawing may not be used for commercial purposes without authorization



Injection Septum Pumping Module		DES/DRA.	A. TURSUN	2012-02-10
T18-PLAN POSITION		CONTROLLED	Y. MUTTONI	2012-03-21
LHCVMSIQ0002/FAISCEAUX B2+INJECTION		RELEASED	G. SCHNEIDER	2012-03-22
ENTRE MSIB1 ET MSIA2		APPROVED		
SCALE		CAD Document Number ST0318721_03		
1:2		REPLACES		
RELEASED BY	FOR INFORMATION	GAC	LHCVMSI_0010	SIZE IND.
PROJECT ENGINEER		-	2	