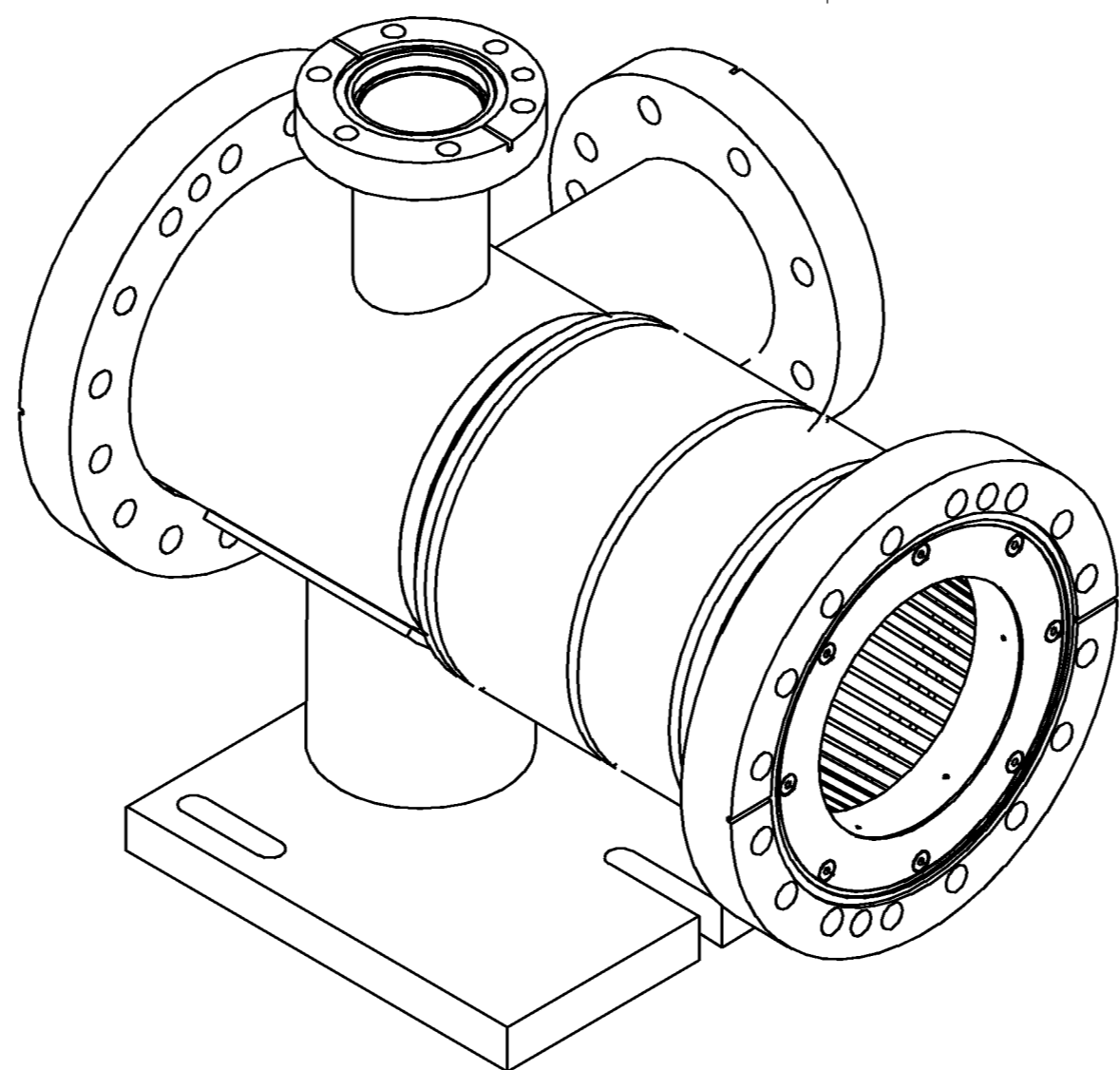
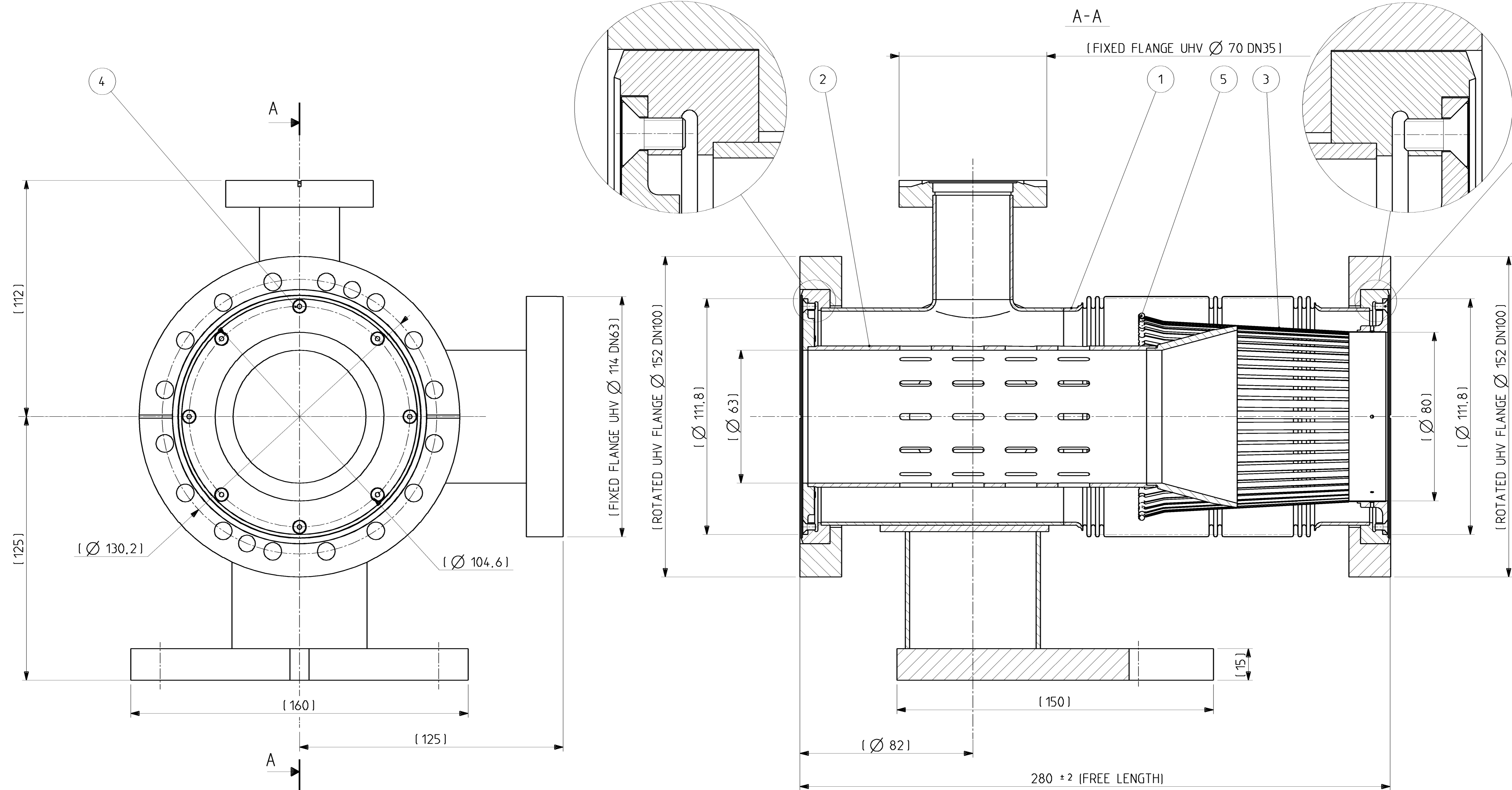


DETAIL ECH.5:1

DETAIL ECH.5:1



NORMAL OPERATING CONDITION:  
 - WORKING PRESSURE  
   EXTERNAL: Atmospheric  
   INTERNAL: 10<sup>-1</sup> mbar  
 - WORKING TEMPERATURE: 20° - 250°    MASS : 8.8Kg

QUANT.	DESCRIPTION	POS.	MAT.	SENS./S.ASS.	OBSERVATIONS	REF.CERN
1	Tension Spring	5		LHCVSR...0011		
16	HEX.COUNTERSUNK SCREW M3x6	4	stainless steel A6 Silver coated	Bossard BN4 719		
1	RF CONTACT Ø 80	3		LHCVSR...0005		
1	TRANSITION TUBE FLANGE Ø 80/63	2		LHCVSR...0061		
1	LEFT WARM BELLOWS DN100 2 P.+SUP	1		LHCVBU...0017		

WARM Modules - Body DN100/_20 - Insert 63/80R - Ports b40/c63	DES/DRA. J VENTURINI	2004-07-13
	CONTROLLED L FAISANDEL	2004-08-24
	RELEASED A VIDAL	2004-08-24
	APPROVED	
LHCV,VM...WARM00000,V04,B,V04B2050PL		
REPLACE/REPLACES		

UNDER APPROVAL	FOR INFORMATION	SCALE 1:1	SIZE 1	IND. 1
----------------	-----------------	-----------	--------	--------

DESIGN OF THE WARM MODULE FOR THE LHC  
 EUROPEAN ORGANIZATION FOR NUCLEAR RESEARCH  
 CERN  
 This design may not be used for commercial purposes without written authorisation.  
 PROJECTION  
 DRAWING, RUGOSITY, TOLERANCES  
 ACCORDING TO ISO STANDARD  
 DESSIN, RUGOSITE, TOLERANCES  
 SELON NORME ISO  
 LEVANT

IND.	DATE	NOM/NAME	ZONE	MODIFICATION