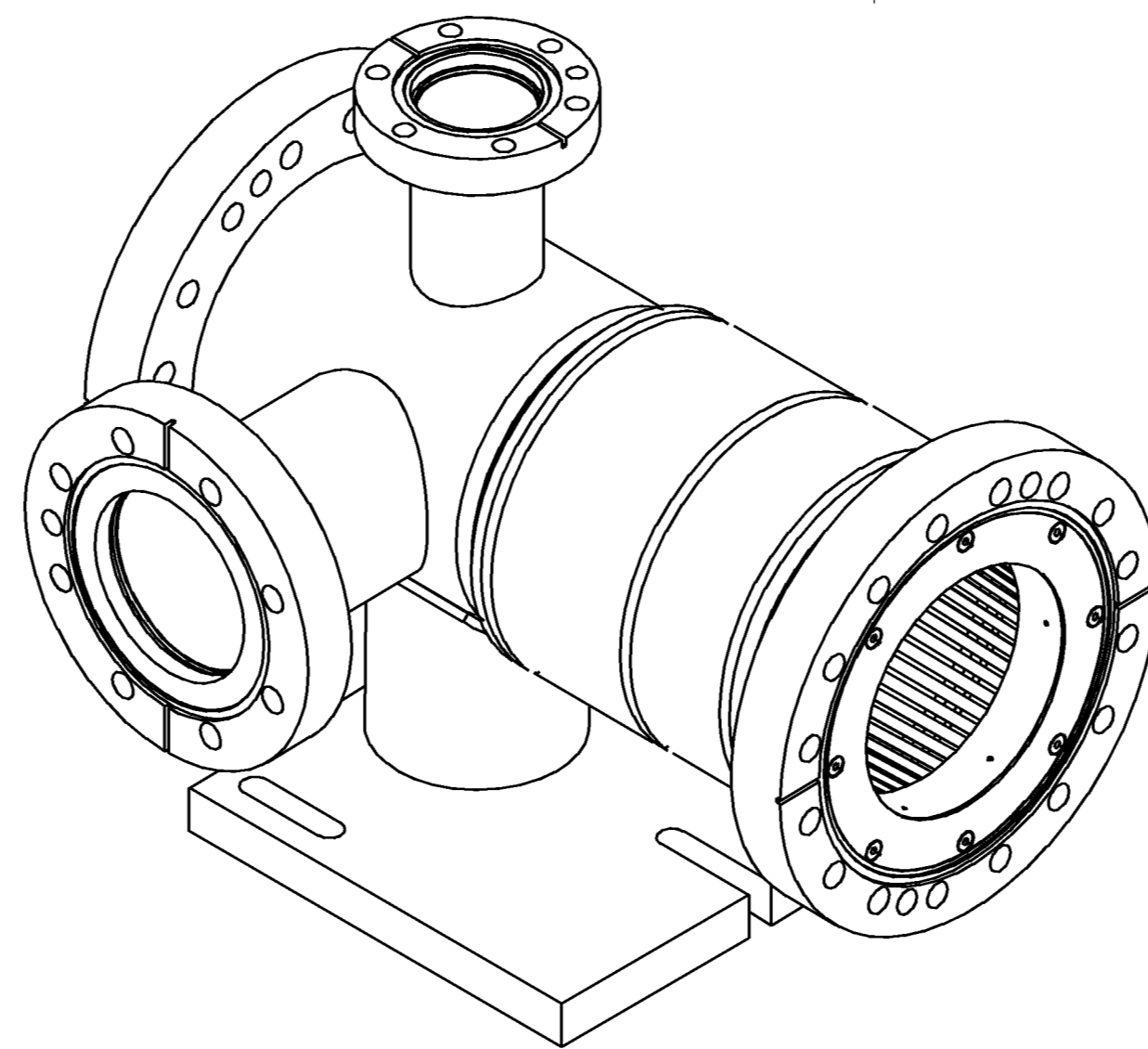
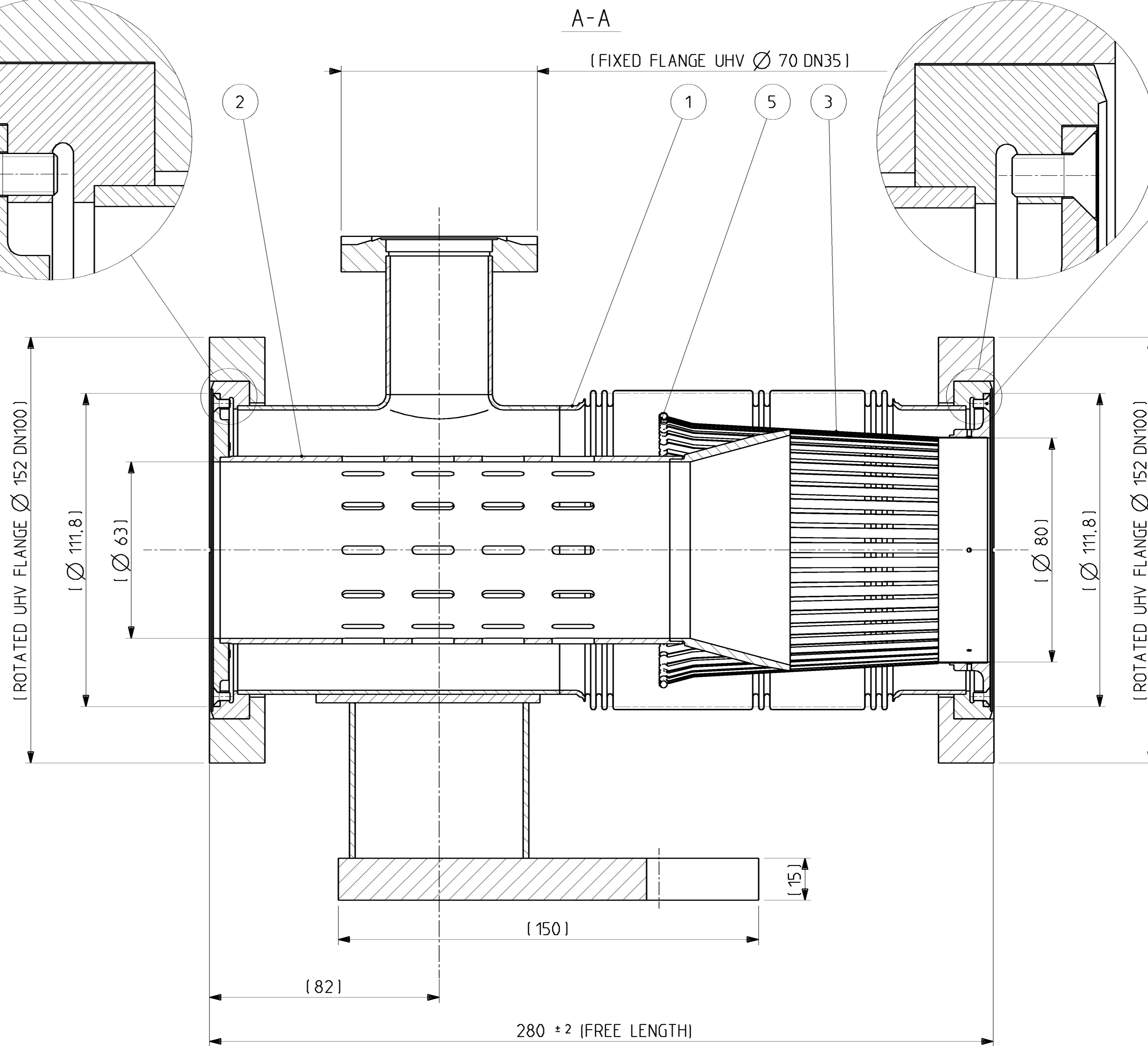
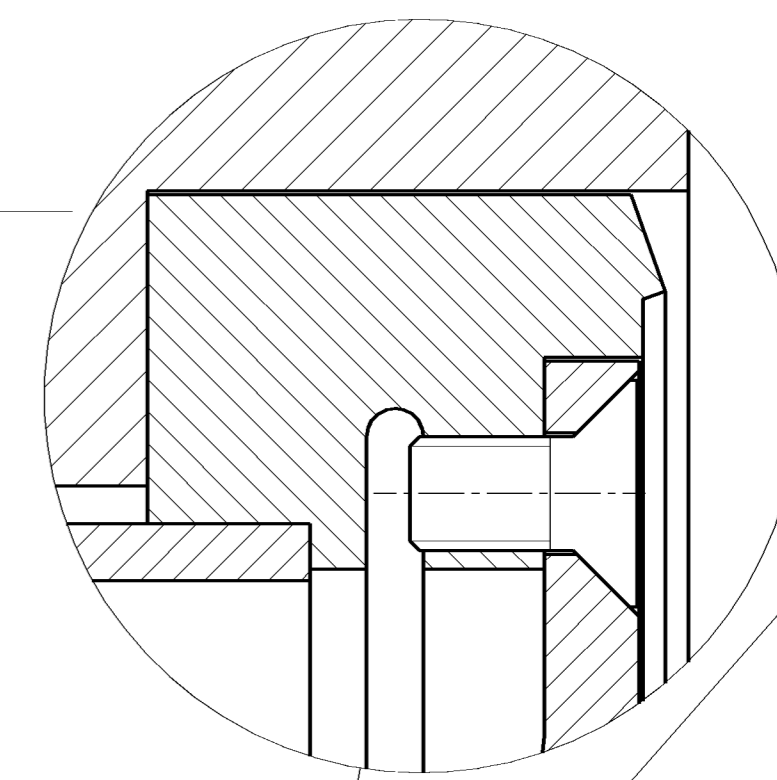
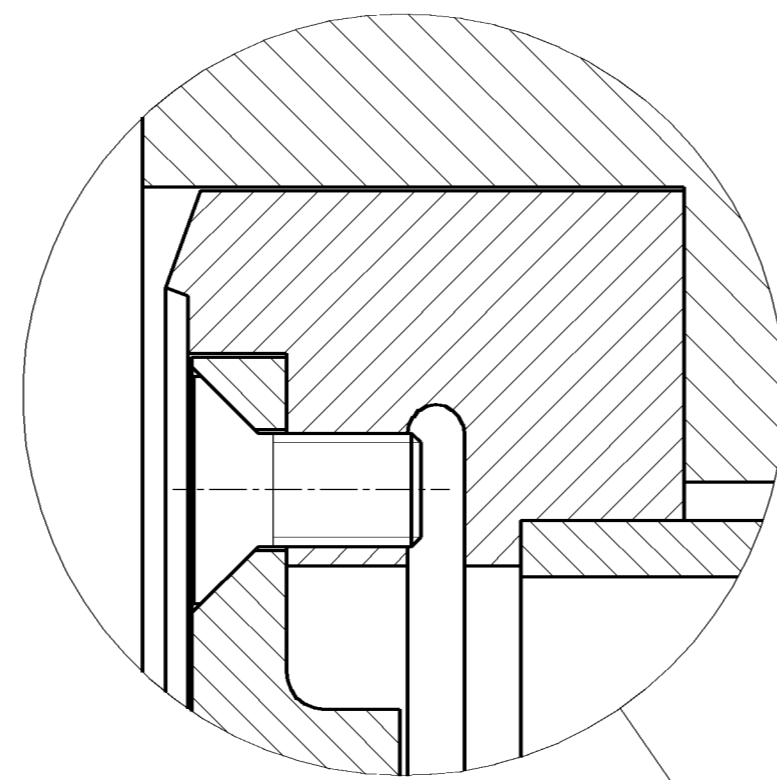
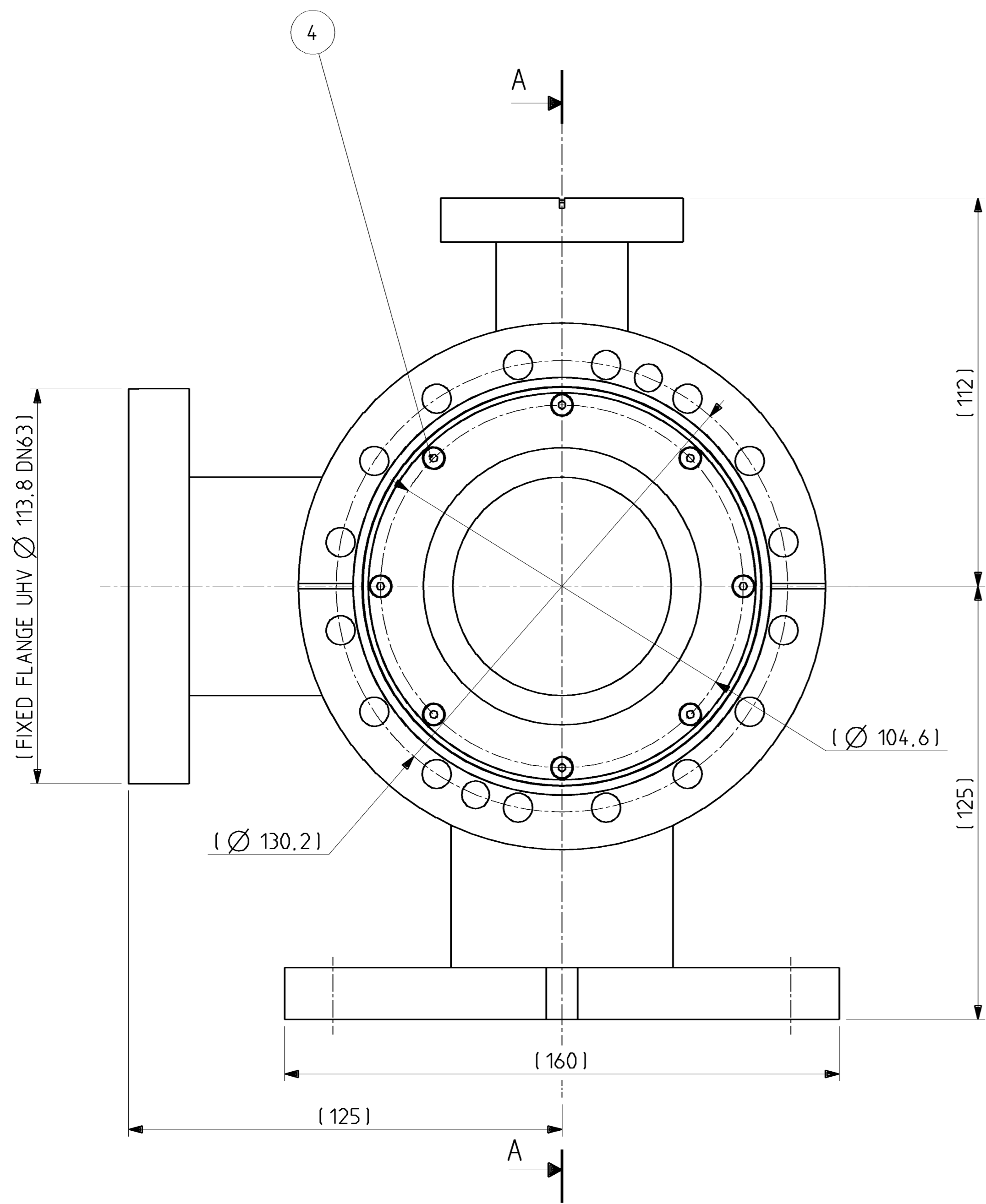


DETAIL ECH.5:1

DETAIL ECH.5:1



NORMAL OPERATING CONDITION:  
 - WORKING PRESSURE  
   EXTERNAL: Atmospheric  
   INTERNAL: 10<sup>-1</sup> mbar  
 - WORKING TEMPERATURE: 20° - 250°    MASS : 8.8Kg

QUANT.	DESCRIPTION	POS.	MAT.	SENS./S.ASS.	OBSERVATIONS	REF.CERN
1	Tension Spring	5		LHCVSR...0011		
16	HEX.COUNTERSUNK SCREW M3x6	4	stainless steel A6 Silver coated	Bossard BN4 719		
1	RF CONTACT Ø 80	3		LHCVSR...0005		
1	TRANSITION TUBE FLANGE Ø 80/63	2		LHCVSR...0061		
1	RIGHT WARM BELLOWS DN100 2 P.,SUP	1		LHCVBU...0016		

DES/DRA.	J. VENTURINI	2004-07-02
CONTROLLED	L. FAISANDEL	2004-09-07
RELEASED	A. VIDAL	2004-10-15
APPROVED		
LHCVM...WARM*00000, V04B, V04B-8204-9PL REPLACE/REPLACES		

UNDER APPROVAL	FOR INFORMATION	UAC A	LHCVMACC0001	SIZE 1	IND. A
----------------	-----------------	-------	--------------	--------	--------

DESIGN: DESSIN, RIGIDITE, TOLERANCES SELON NORME ISO  
 DRAWING: DRAWING, RIGIDITY, TOLERANCES ACCORDING TO ISO STANDARD  
 PROJECTION: PROJECTION  
 EUROPEAN ORGANIZATION FOR NUCLEAR RESEARCH  
 Ce dessin ne peut être utilisé à des fins commerciales sans autorisation écrite.  
 This drawing may not be used for commercial purposes without written authorisation.

IND.	DATE	NOM/NAME	ZONE	MODIFICATION
A	2004-07-06	J. VENTURINI		MODIFY DN40 TO DN35