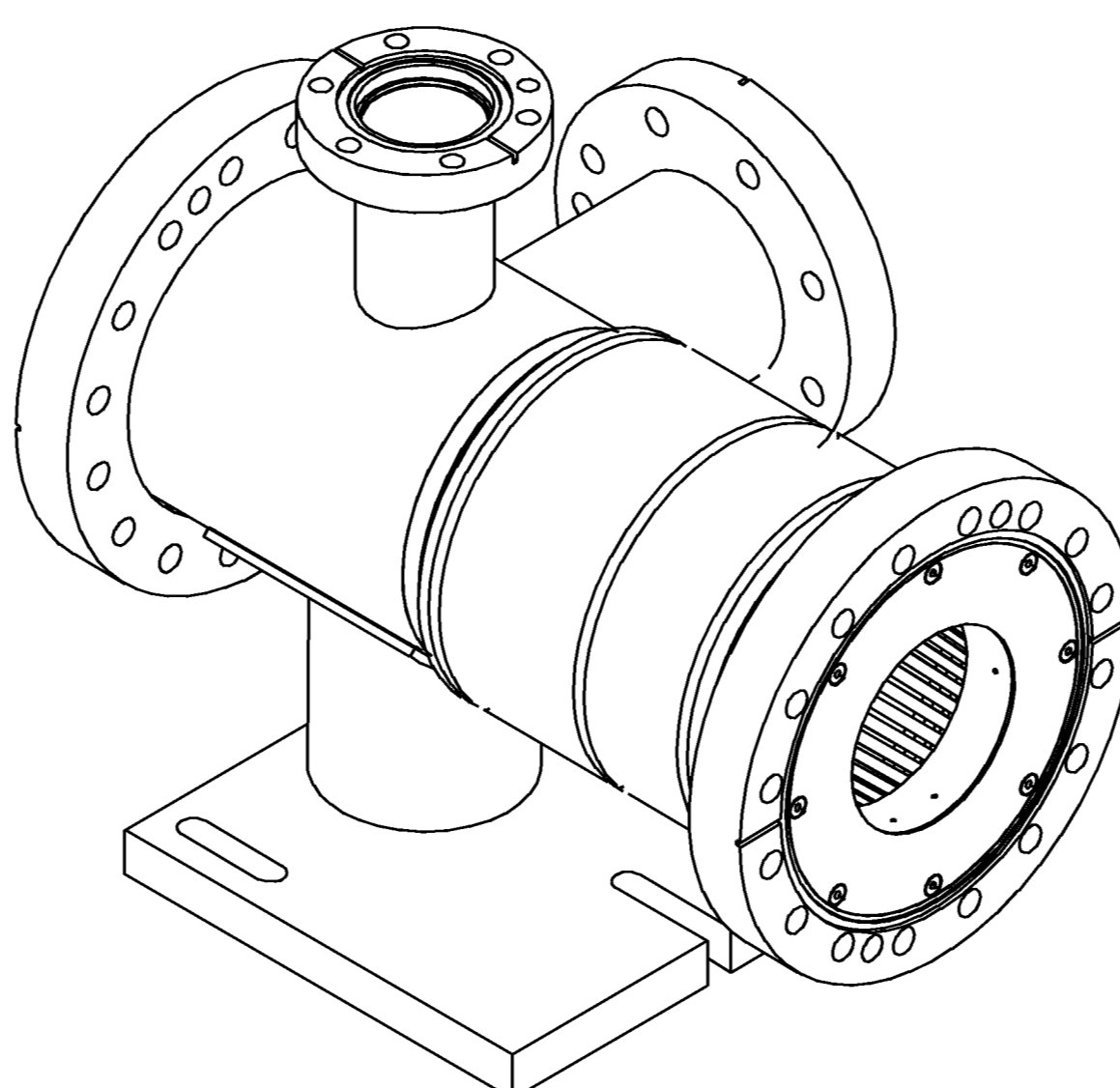
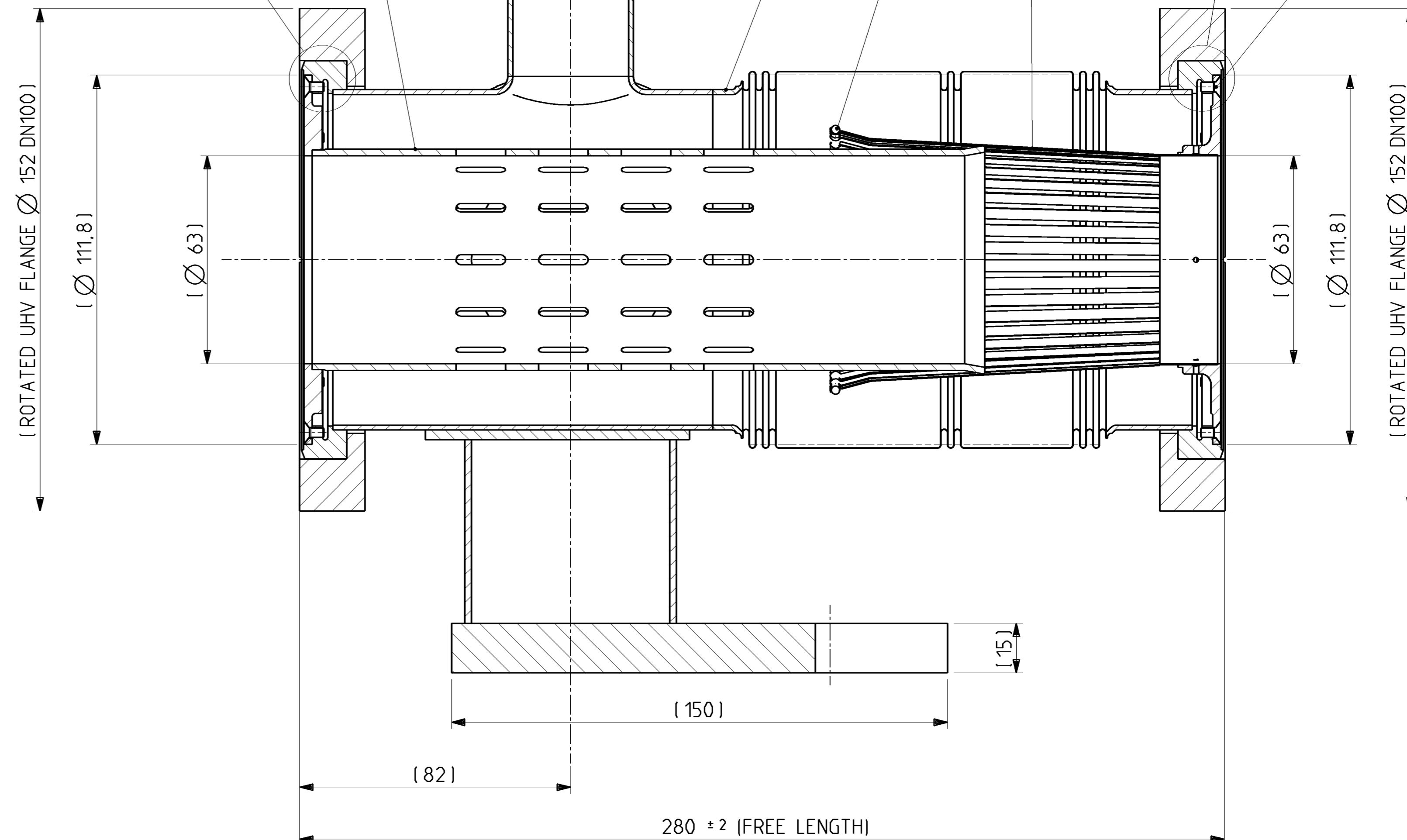
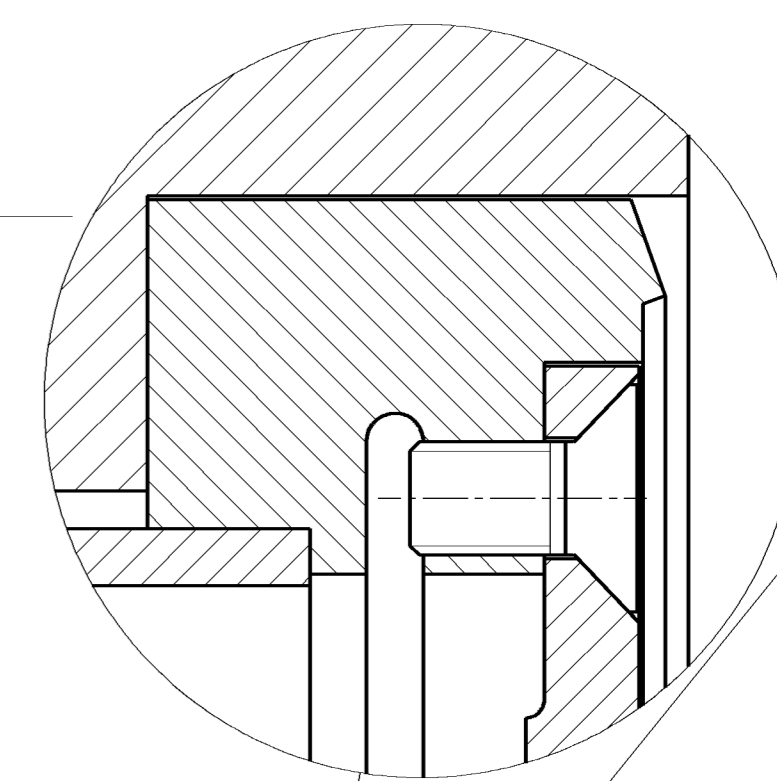
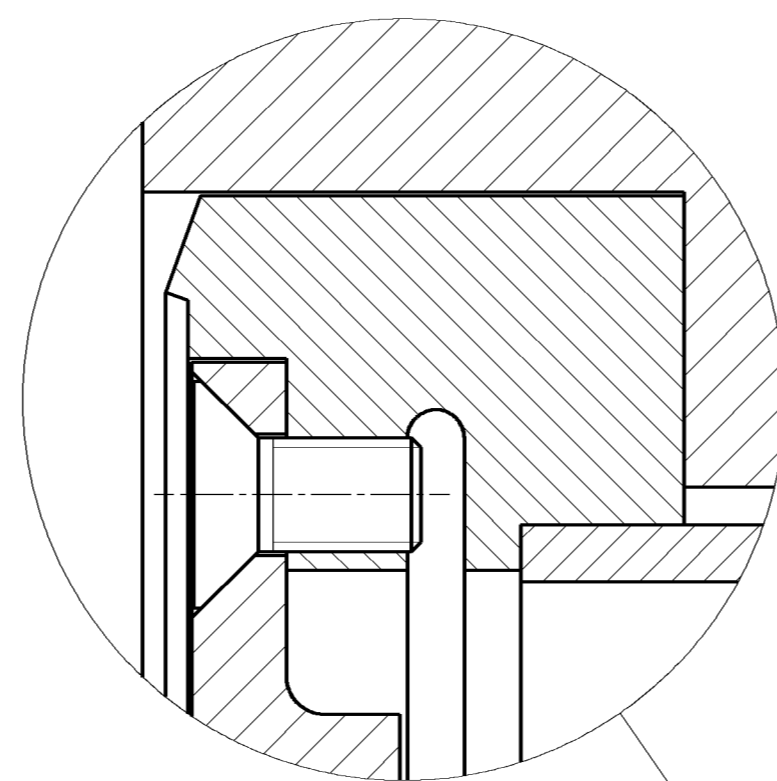
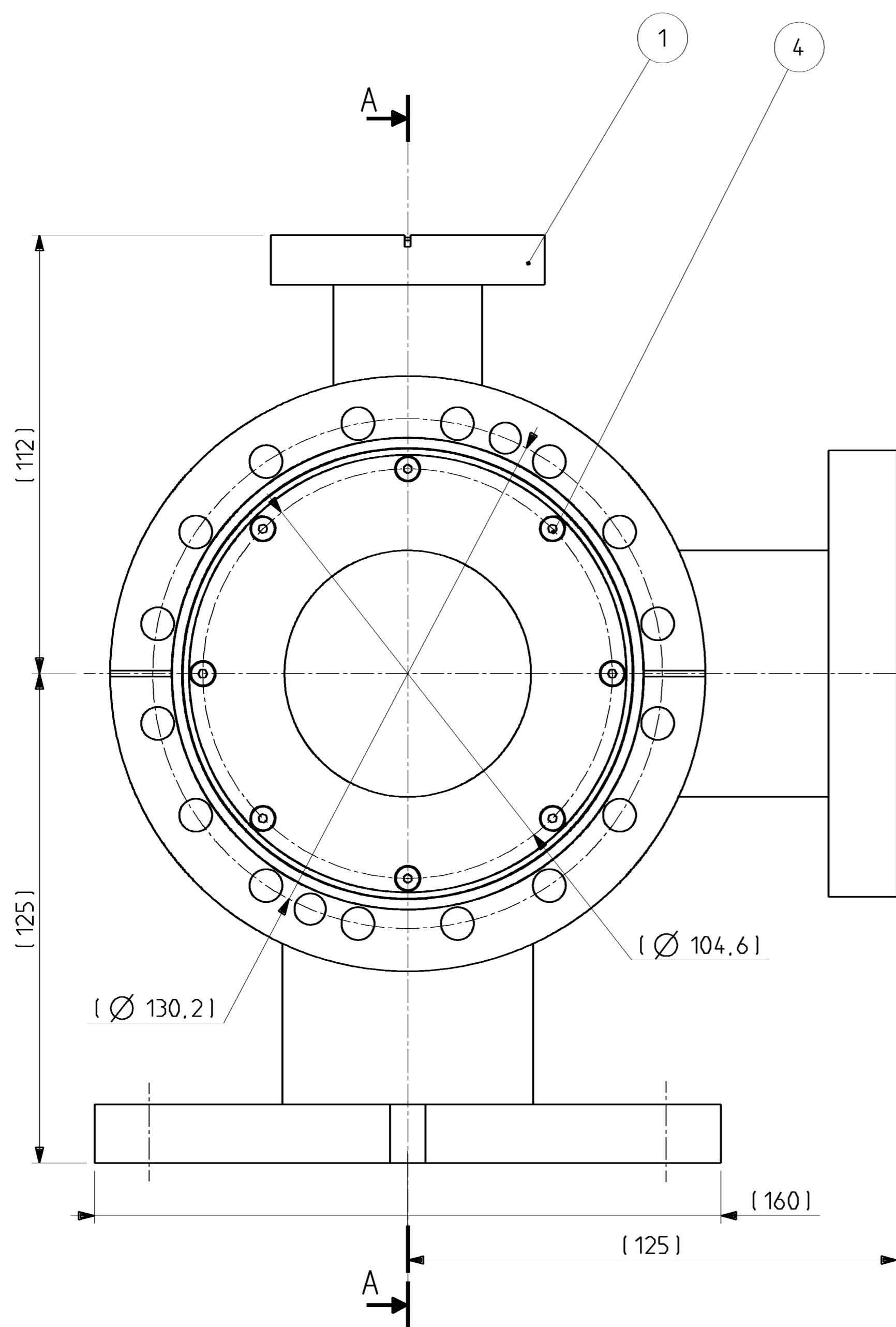


DETAIL ECH.5:1

DETAIL ECH.5:1



NORMAL OPERATING CONDITION:  
 - WORKING PRESSURE  
 EXTERNAL: Atmospheric  
 INTERNAL:  $10^{-1}$  mbar  
 - WORKING TEMPERATURE: 20° - 250° MASS: 8.8Kg

QUANT.	DESCRIPTION	POS.	MAT.	SENS./S.ASS.	OBSERVATIONS	REF.CERN
1	TENSION SPRING FOR Ø 63 -	5		LHCVSR...0239		
16	HEX.COUNTERSUNK SCREW M3x6	4	stainless steel A4 Silver coated	Bossard BN4 719		
1	RF CONTACT Ø 63	3		LHCVSR...0057		
1	TRANSITION TUBE FLANGE Ø 63L206	2		LHCVSR...0062		
1	LEFT WARM BELLOWS DN100 2P.+SUP	1		LHCVBU...0017		

WARM Modules - Body DN100/_20 - Insert 63/63R - Ports b40/c63		DES/DRA.	J. VENTURINI	2004-08-24
		CONTROLLED	L. FAISANDEL	2006-07-11
		RELEASED	A. VIDAL	2006-07-11
		APPROVED		
		LHCVM...WARM*00000,V04B,V04B2054PL REPLACE/REPLACES		
ECCHELLE SCALE 1:1		LHCVMABD0001		
UNDER APPROVAL	FOR INFORMATION	UAC	A	SIZE IND. 1 B

IND.	DATE	NOM/NAME	ZONE	MODIFICATION
B	2006-07-11	J. VENTURINI		MODIF. T.SPRLNG LHCVSR...0041 TO LHCVSR...0239
A	2004-07-03	J. VENTURINI		MODIFY DN40 TO DN35

DESIGN, RIGIDITE, TOLERANCES SELON NORME ISO DRAWING, RUGOSITY, TOLERANCES ACCORDING TO ISO STANDARD  
 PROJECTION  
 EUROPEAN ORGANIZATION FOR NUCLEAR RESEARCH  
 CERN