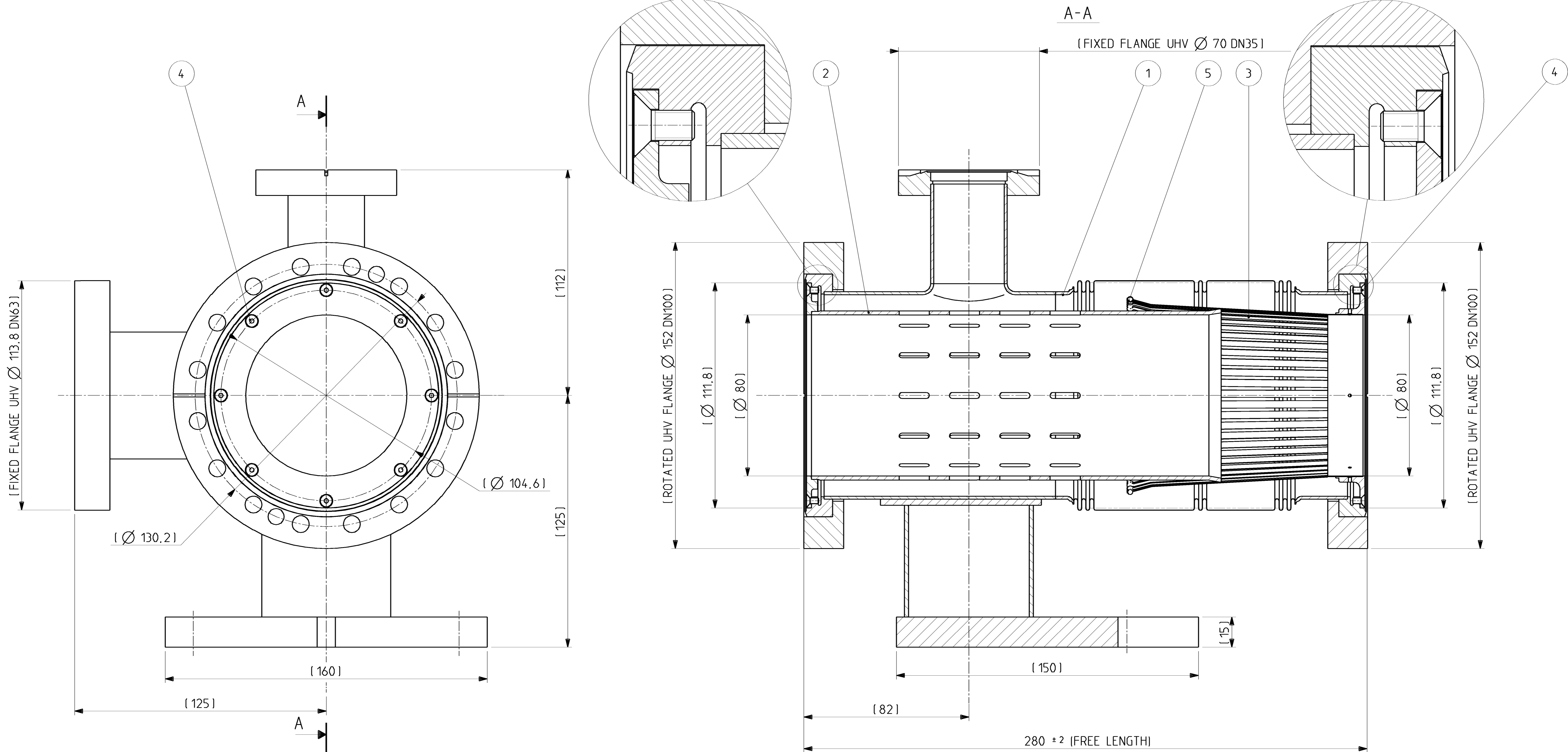
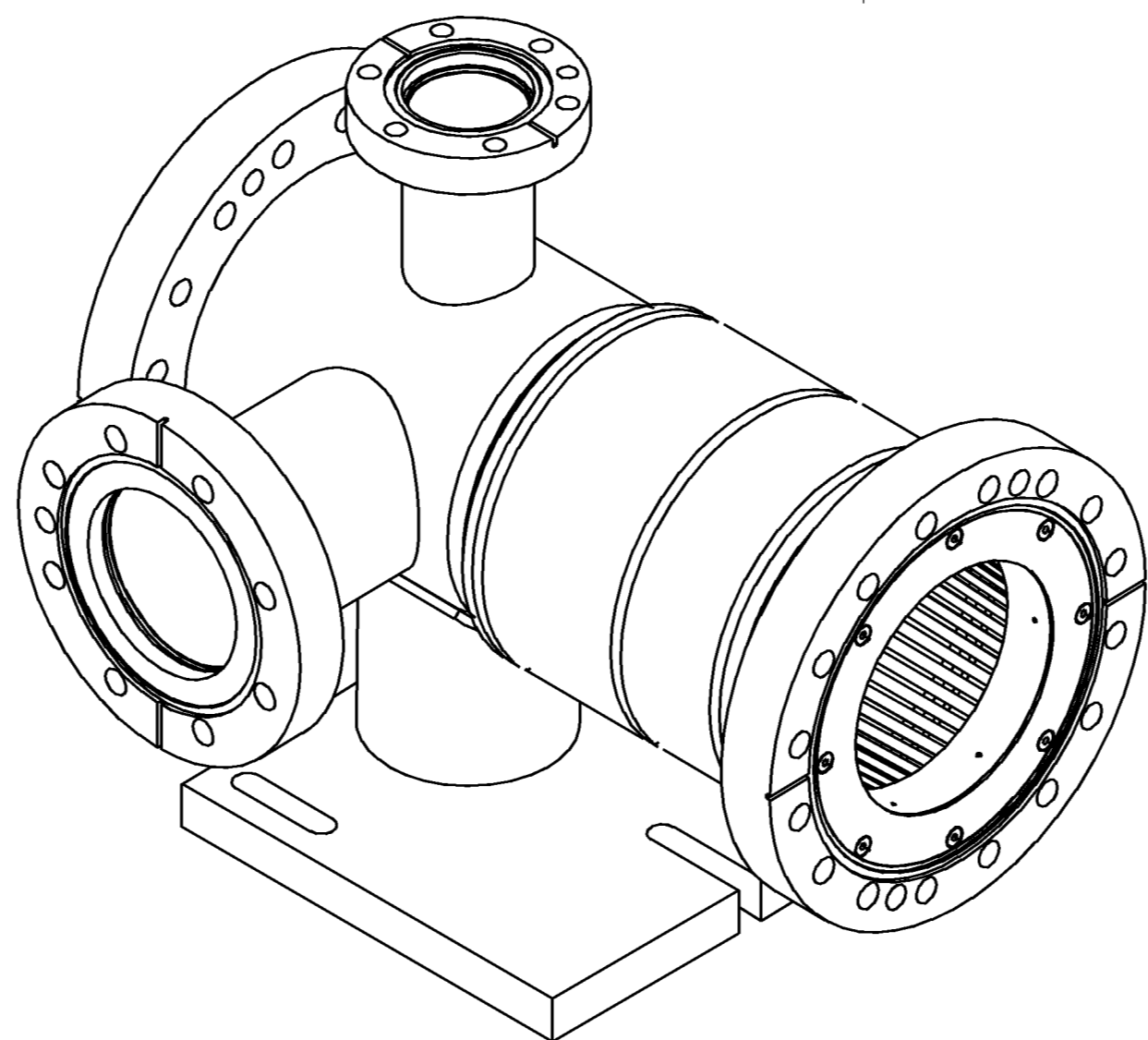


DETAIL ECH.5:1

DETAIL ECH.5:1



NORMAL OPERATING CONDITION:
 - WORKING PRESSURE
 EXTERNAL: Atmospheric
 INTERNAL: 10⁻¹ mbar
 - WORKING TEMPERATURE: 20° - 250° MASS : 8.8Kg



QUANT.	DESCRIPTION	POS.	MAT.	OBSERVATIONS	REF.CERN
1	Tension Spring	5		LHCVSR...0011	
16	HEX.COUNTERSUNK SCREW M3x6	4	stainless steel A6 Silver coated	Bossard BN4 719	
1	RF CONTACT Ø 80	3		LHCVSR...0005	
1	TRANSITION TUBE FLANGE Ø 80	2		LHCVSR...0008	
1	RIGHT WARM BELLOWS DN100 2 P.,SUP	1		LHCVBU...0016	

WARM Modules - Body DN100/_20 - Insert 80/80R - Ports a63/b40		ECHELLE SCALE	DES/DRA.	J. VENTURINI	2003-04-29
		1:1	CONTROLLED	L. FAISANDEL	2004-09-03
			RELEASED	A. VIDAL	2004-09-06
			APPROVED		
			LHCV,VM...WARM*MOD000,V04.8,V04.82010PL REPLACE/REPLACES		
UNDER APPROVAL	FOR INFORMATION	UAC A	LHCVMAAC0001		
			SIZE	IND.	
			1	1	

IND.	DATE	NOM/NAME	ZONE	MODIFICATION
D	2004-09-03	J. VENTURINI		MODIFY DN40 TO DN35
C	2004-02-09	J. VENTURINI		New transition lhcvsr...0008
B	2003-09-23	J. VENTURINI		New version to integrate DN100 transition
A	2003-04-20	J. VENTURINI		ADD SPRING REFERENCE

DESIGN: DESSINI, RIGUSTITE, TOLERANCES SECON NORME ISO
 DRAWING: RIGUSTITE, TOLERANCES ACCORDING TO ISO STANDARD
 PROJECTION: FIRST ANGLE
 ORGANIZATION: EUROPEAN ORGANIZATION FOR NUCLEAR RESEARCH
 DESIGN: J. VENTURINI
 DRAWING: J. VENTURINI
 APPROVED: J. VENTURINI
 RELEASED: A. VIDAL
 CONTROLLED: L. FAISANDEL
 DESIGNED: J. VENTURINI
 DATE: 2003-04-20
 NAME: J. VENTURINI
 ZONE:
 MODIFICATION: ADD SPRING REFERENCE