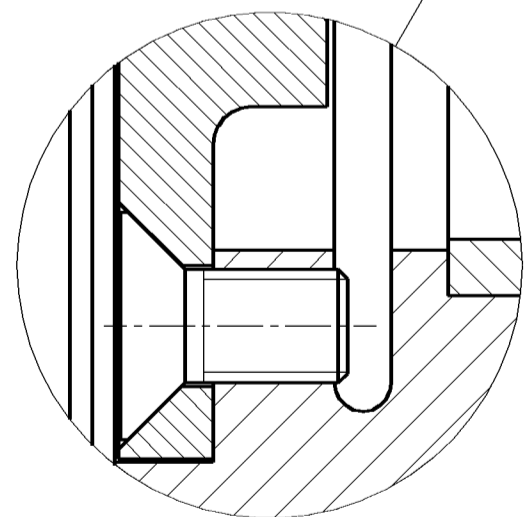
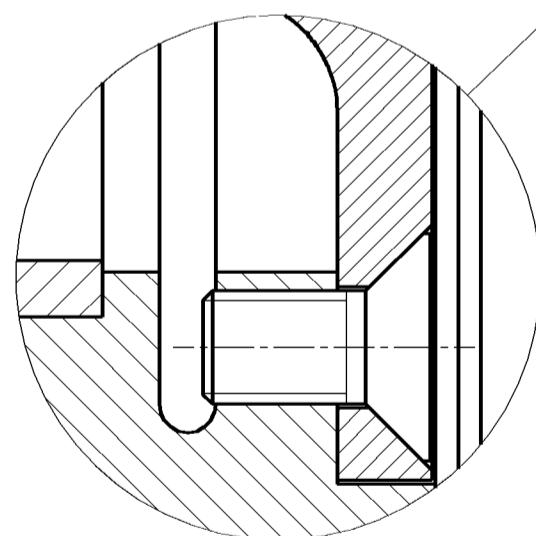


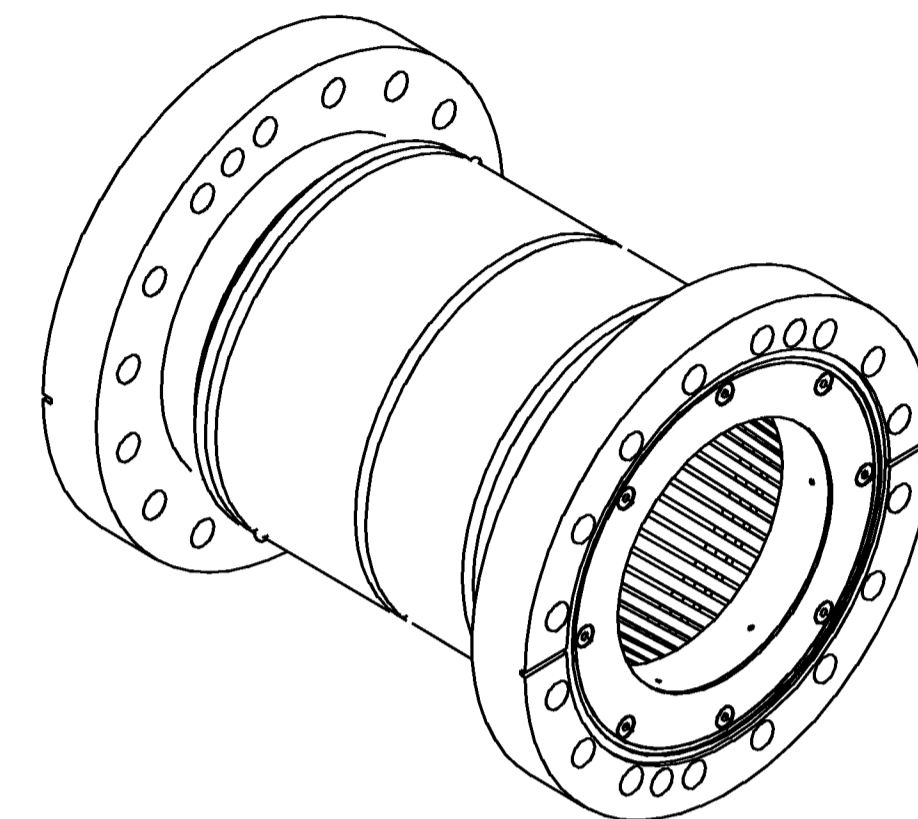
DETAIL ECH.5:1



DETAIL ECH.5:1



180 ± 1.5 (FREE LENGTH)



NORMAL OPERATING CONDITION:
 _ WORKING PRESSURE
 EXTERNAL: Atmospheric
 INTERNAL: 10⁻¹¹ mbar
 _ WORKING TEMPERATURE: 20° - 250°

MASS : 3.7Kg

QUANT	DESCRIPTION	POS	MAT.	OBSERVATIONS	REF.CERN
1	Tension spring	5		LHCVSR__0011	
16	HEX.COUNTERSUNK SCREW M3x6	4	Stainless steel A4 SILVER COATED	BOSSARD BN4 719	
1	TRANS. TUBE FLANGE Ø 80/103.5	3		LHCVSR__0010	
1	RF CONTACT Ø 80	2		LHCVSR__0005	
1	WARM BELLOWS DN100 WITHOUT PORT	1		LHCVBU__0012	
	ENS./ASS.		S.ENS/S.ASS.		

Warm Modules - Body DN100/_20 - Insert 80/80R - No ports		ECHELLE SCALE 1:1	DES/DRA. J. VENTURINI 2003-04-25
WARM MODULE TYPE VMAAA		CONTROLLED L. FAISANDEL 2004-07-22	RELEASED A VIDAL 2004-07-28
		APPROVED - -	LHCV,VM...WARMMOD000,V04-8,V04-82012PL
		REPLACE/REPLACES	
UNDER APPROVAL	FOR INFORMATION	GAC A	SIZE IND. 2 C

IND.	DATE	NOM/NAME	ZONE	MODIFICATION
C	2004-02-09	J. VENTURINI		New transition lhcvsr__0010
B	2003-09-19	J. VENTURINI		New version to integrate DN100 transition
A	2003-06-13	J. VENTURINI		ADD FIXED FLANGE AND VSR__0011 POS5

ORGANISATION EUROPEENNE POUR LA RECHERCHE NUCLEAIRE
 EUROPEAN ORGANIZATION FOR NUCLEAR RESEARCH
 CERN
 DESSIN, RUGOSITE, TOLERANCES SELON NORME ISO
 DRAWING, RUGOSITY, TOLERANCES ACCORDING TO ISO STANDARD
 PROJECTION
 Ce dessin ne peut être utilisé à des fins commerciales sans autorisation écrite.
 This drawing may not be used for commercial purposes without written authorisation.