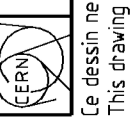


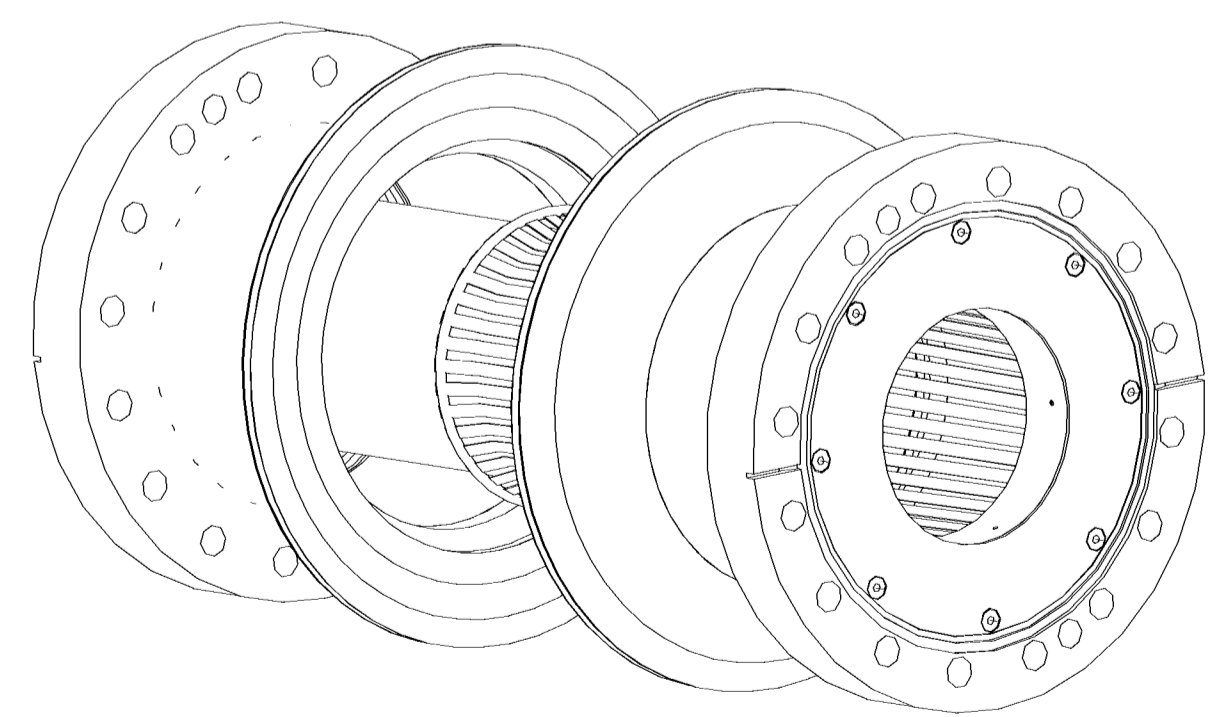
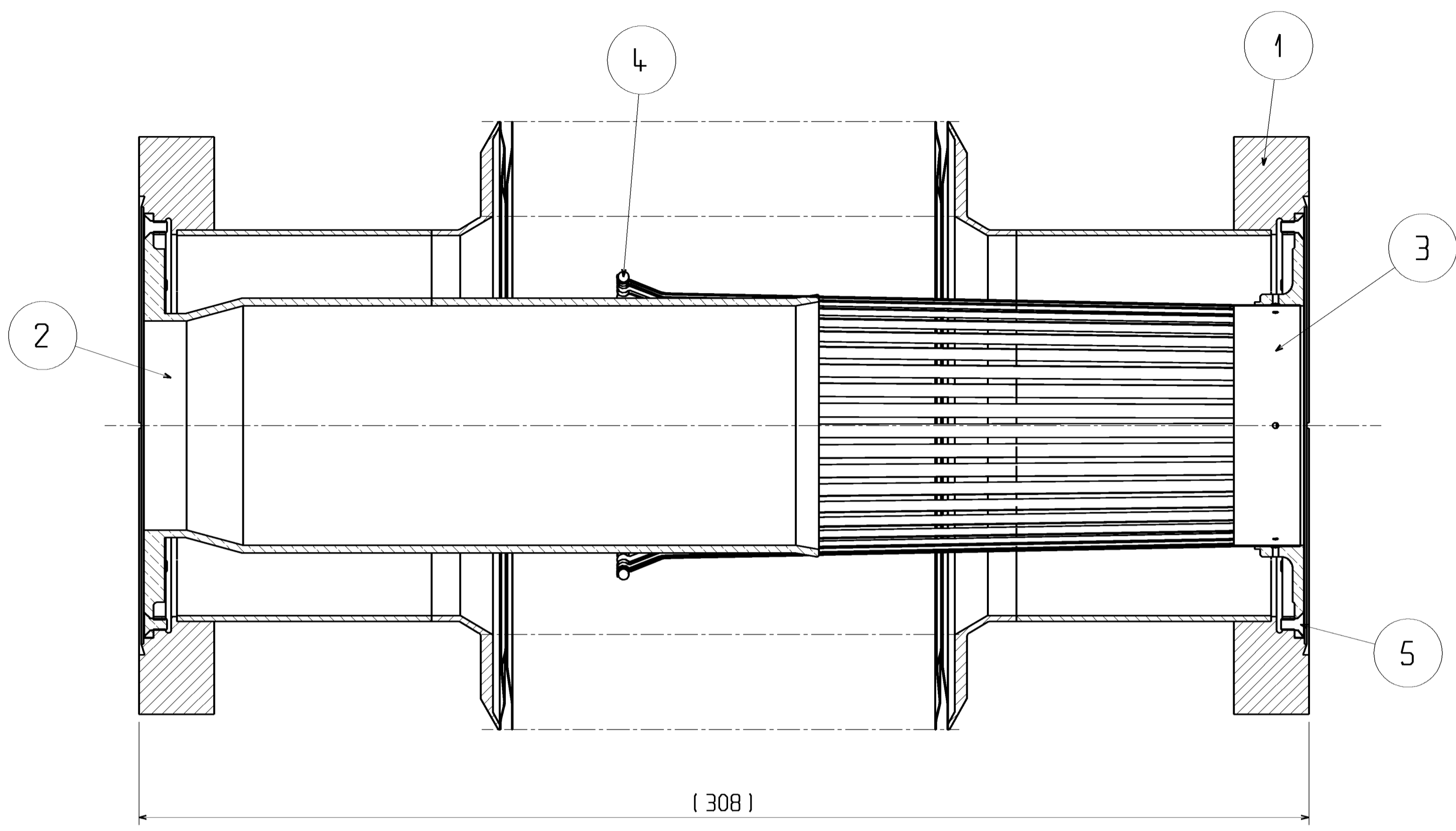
DESSIN - RUGOSITE, TOLERANCES
SELON - NORME ISO
DRAWING - RUGOSITY, TOLERANCES
ACCORDING TO ISO STANDARD

PROJECTION

ORGANISATION EUROPEENNE POUR
LA RECHERCHE NUCLEAIRE
EUROPEAN ORGANIZATION FOR NUCLEAR RESEARCH
GENEVE



Le dessin ne peut être utilisé à des fins commerciales sans autorisation écrite.
This drawing may not be used for commercial purposes without written authorisation.



QUANT	DESCRIPTION	POS	MAT.	OBSERVATIONS	REF. CERN
16	HEX.COUNTERSUNK SCREW M3x6	5	A4 Ag coated	BOSSARD BN4719	
1	TENSION SPRING FOR Ø 63 -	4		LHCVSR_0041	
1	WELDED BELLOW Z=15500 - RF CONTAC	3		LHCVBX_0009	
1	WELDED BELLOW Z=15500 - COPPER TR	2		LHCVBX_0006	
1	WELDED BELLOW Z=15500 - BODY	1		LHCVBX_0005	

Vacuum - Bellows - CMS			EHELLE SCALE 1:1	DES/DRA.	G FOFFANO	2006-04-20
WELDED BELLOW Z=15500 ASSEMBLY				CONTROLLED	C MENOT	2006-04-25
			RELEASED	P LEPELLE	2006-05-05	
			APPROVED	-	-	
			CMS_VAC,VACUUM_CHAMBER,CMS0,CMS02973PL			
			REPLACE/REPLACES			

IND.	DATE	NOM/NAME	ZONE	MODIFICATION
11				
10				
9				
8				
7				
6				
5				
4				
3				
2				
1				

RELEASED BY	FOR EXECUTION	GAC	LHCVBX5_0002	SIZE	IND.
PROJECT ENGINEER		-		2	