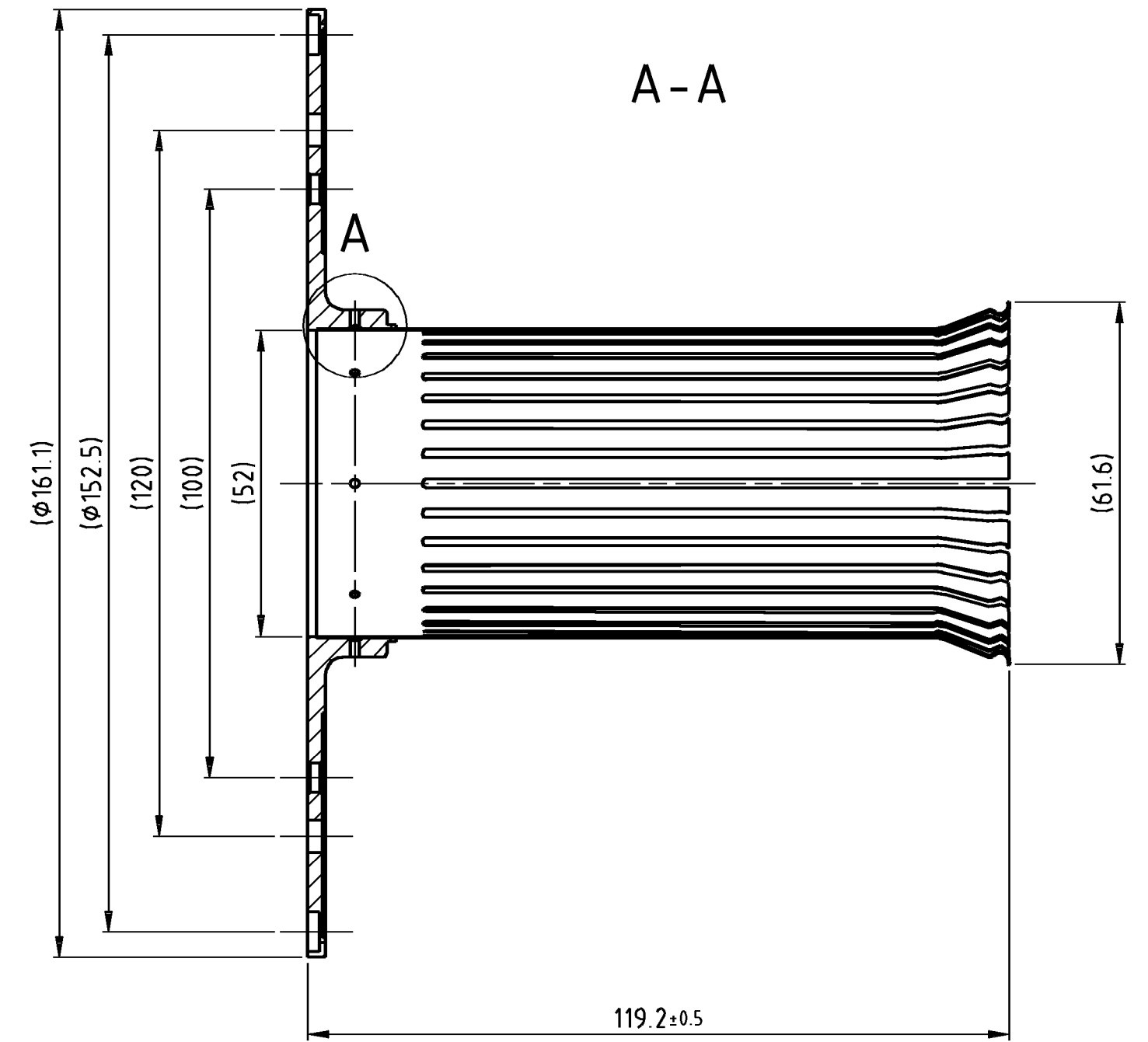
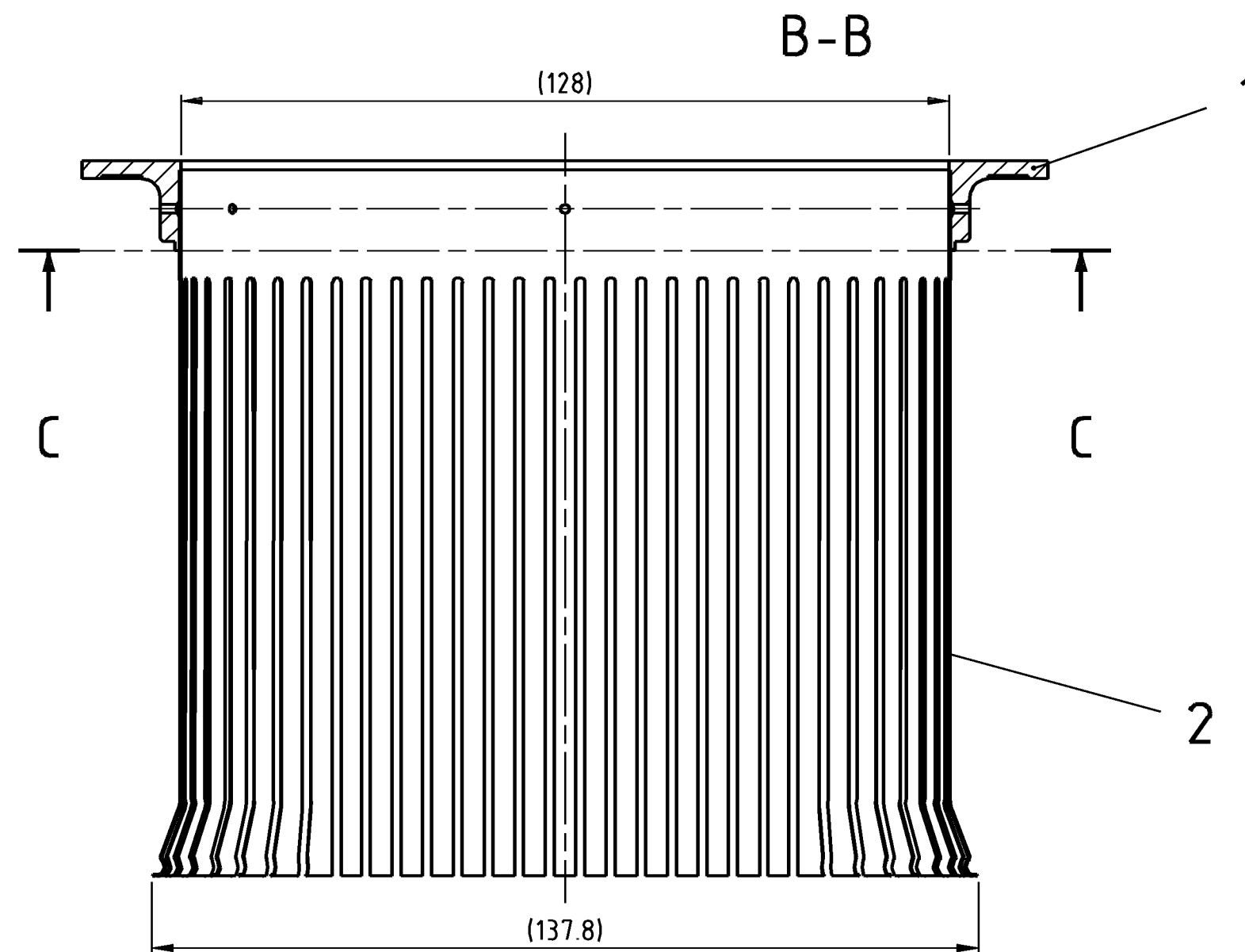
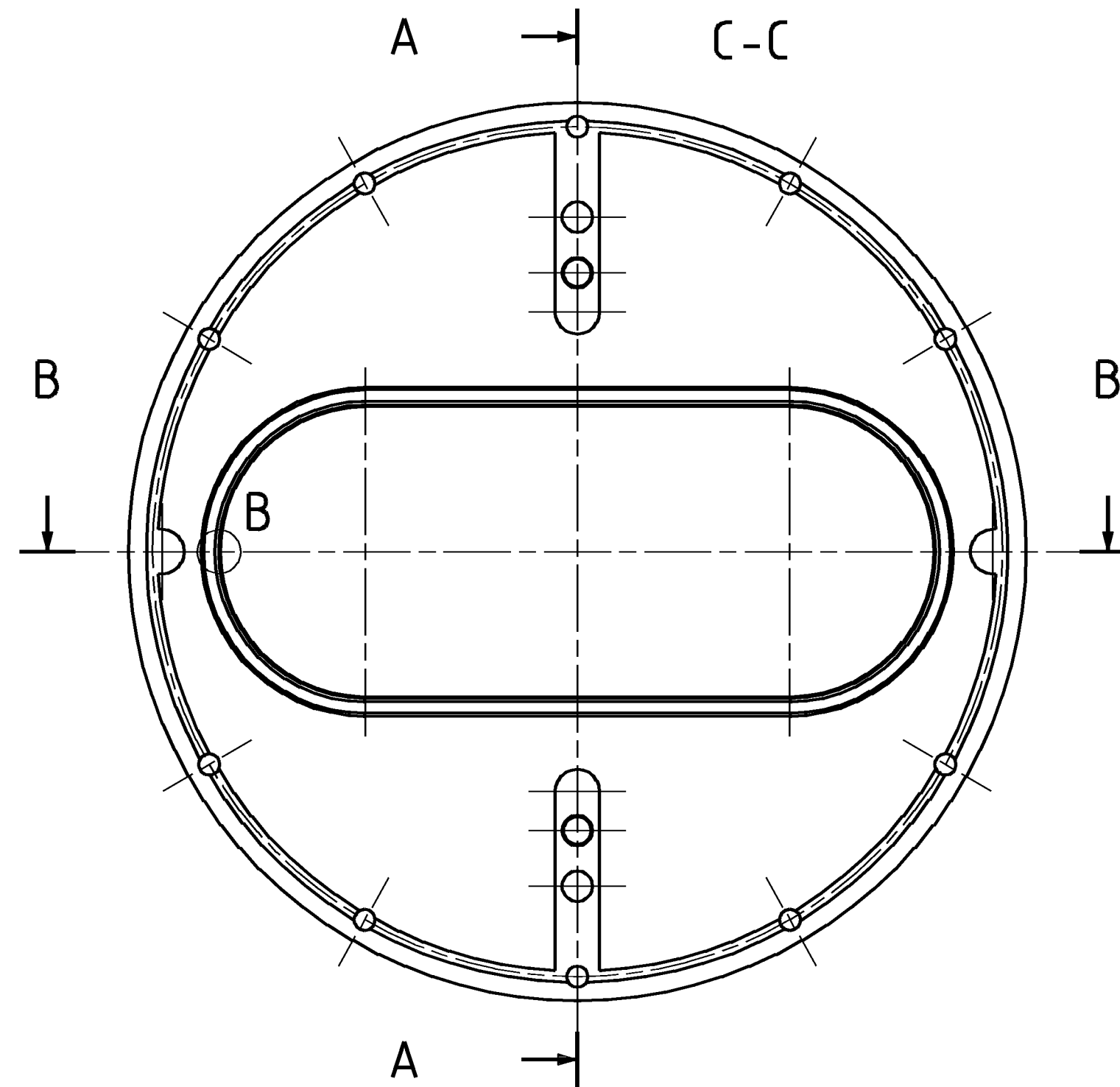
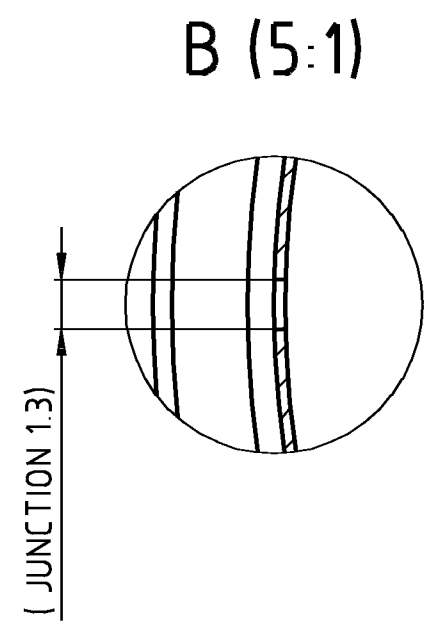
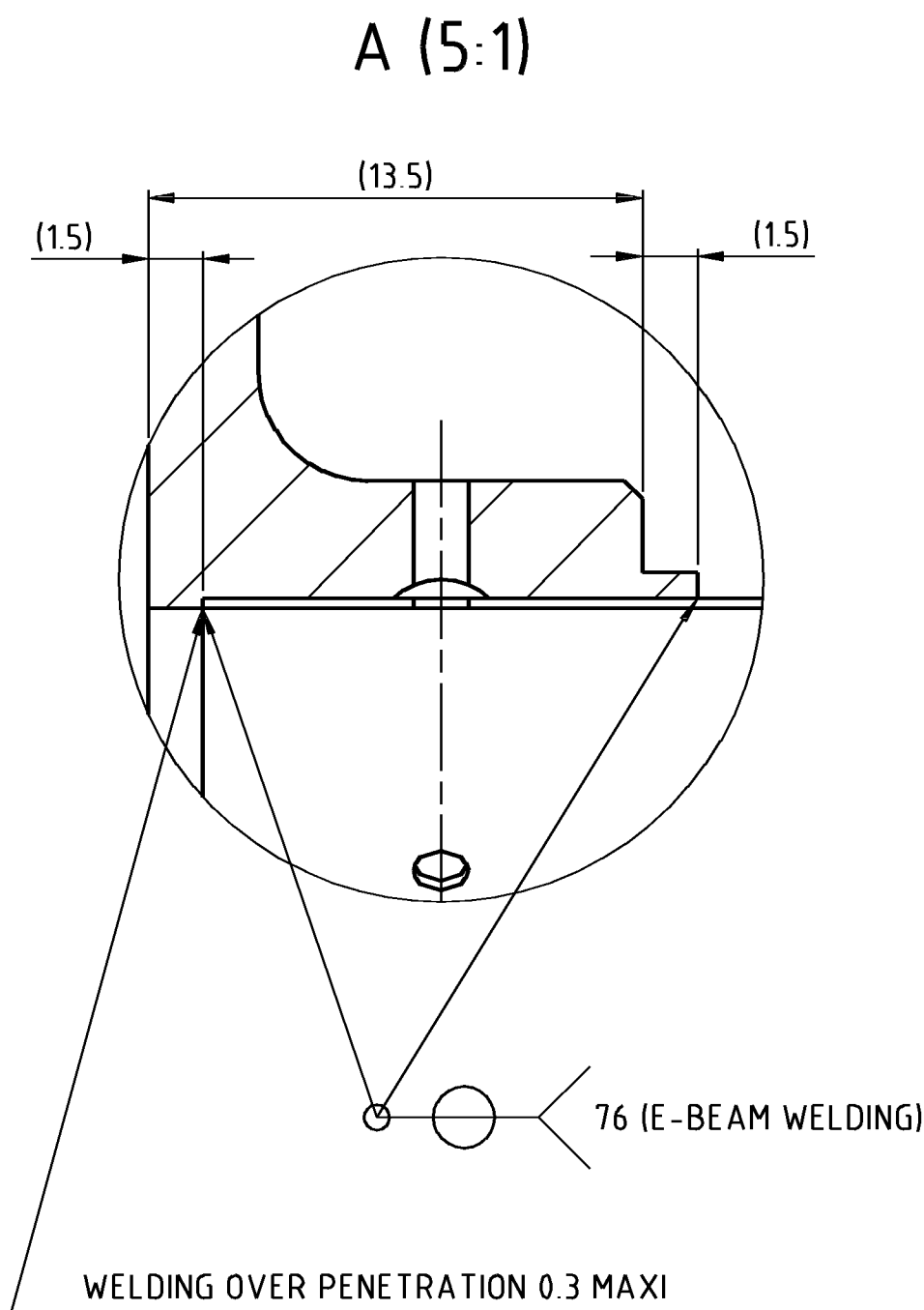


DESSIN, RUGOSITE, TOLERANCES
SELON NORMES ISO
DRAWING, RUGOSITY, TOLERANCES
ACCORDING TO ISO STANDARDS

PROJECTION

ORGANISATION EUROPÉENNE POUR
LA RECHERCHE NUCLÉAIRE
EUROPEAN ORGANIZATION FOR NUCLEAR RESEARCH
GENÈVE
Le dessin ne peut être utilisé à des fins commerciales sans autorisation écrite
This drawing may not be used for commercial purposes without written authorisation



THIS ASSEMBLY IS PART OF AN ULTRA HIGH VACUUM SYSTEM
AND MUST BE CLEANED ACCORDING TO SPECIFICATION.

1	RF CONTACT DEVELOPMENT RACETRACK H128 V52	2		LHC VSR 0165	
1	RF CONTACT SUPPORT H128-V52	1		LHCTCDSV0017	
QUANT.	DESCRIPTION	POS	MAT.	OBSERVATIONS	REF.CERN
	ENS/ASS	LHCTCDSV0014		S.ENS/S.ASS	
Collimator for MSD Protection (IR6) - Vacuum devices				ECHELLE SCALE	DES/DRA. B RIFFAUD 2006-03-14
TCDS - VACUUM DEVICES				1:1	CONTROLLED J KOTULA 2006-03-15
RF CONTACT H128-V52					RELEASED W WETERINGS 2006-03-15
TCDS - ELEMENTS VIDE					APPROVED - -
CONTACT RF H128-V52					LHC\TCDSV0\TCDSV018
					REPLACE/REPLACES
RELEASÉ BY PROJECT ENGINEER		FOR PRODUCTION		QAC -	LHCTCDSV0018
					SIZE 2
					IND. 2

IND.	DATE	NOM/NAME	ZONE	MODIFICATION