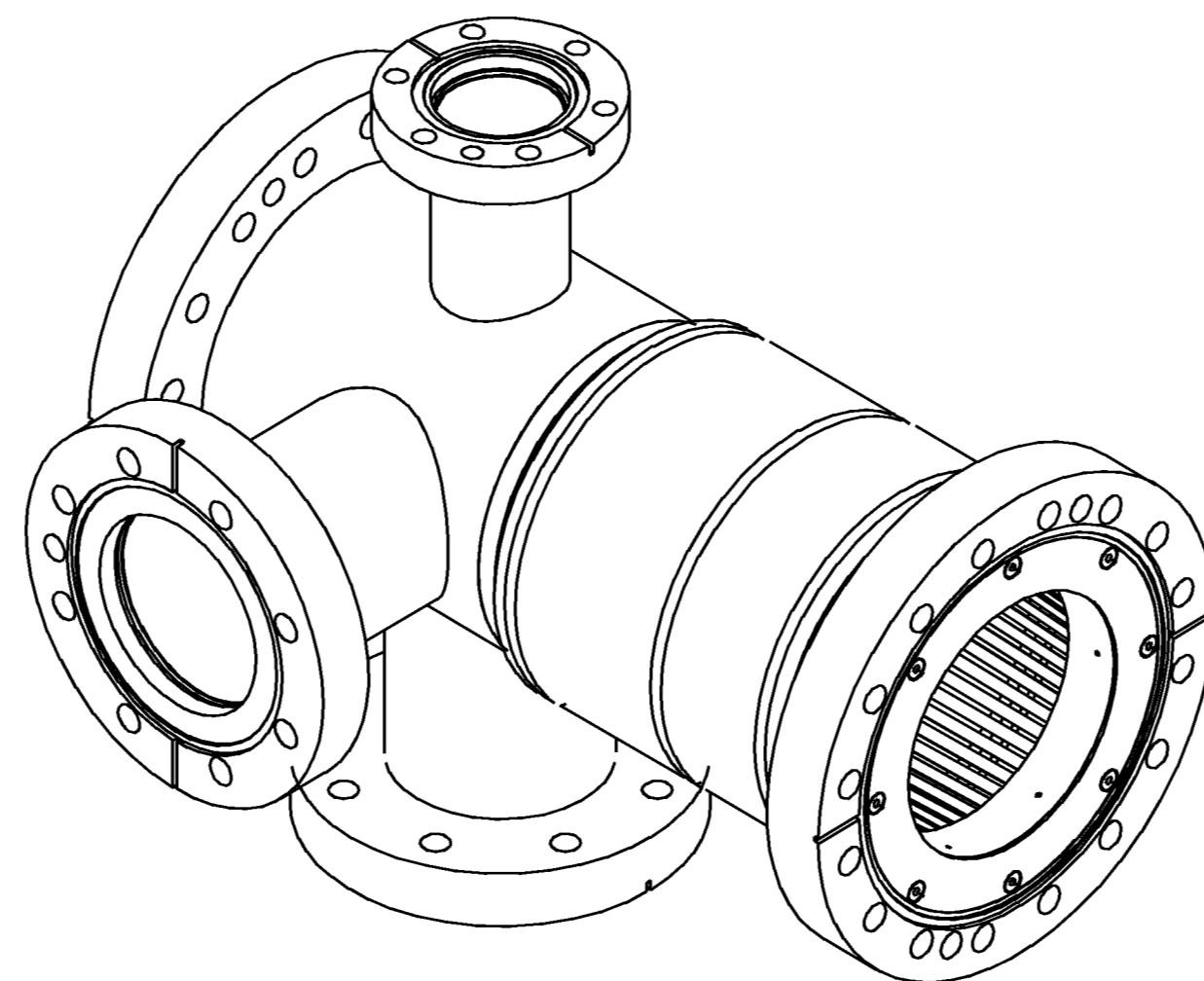
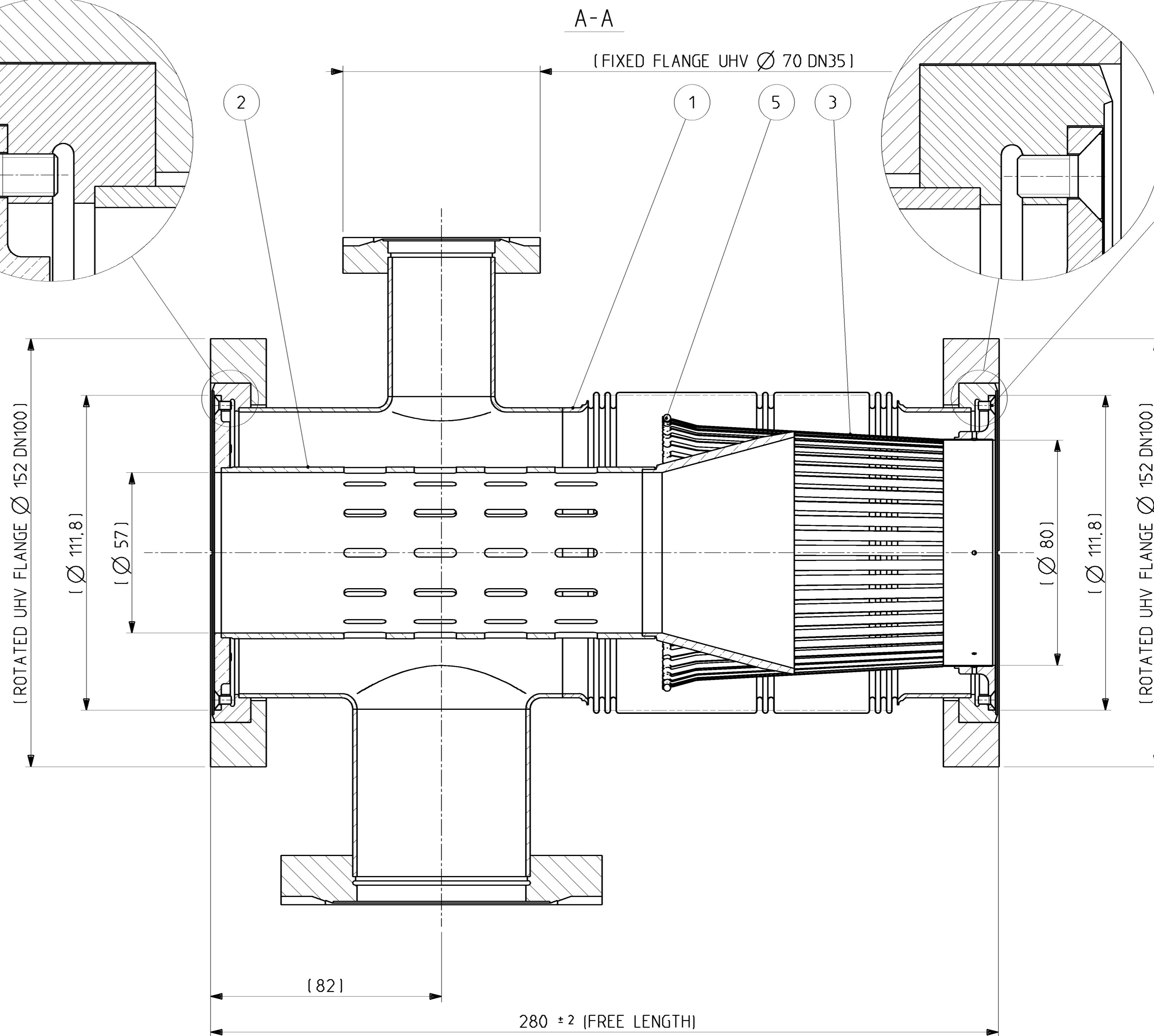
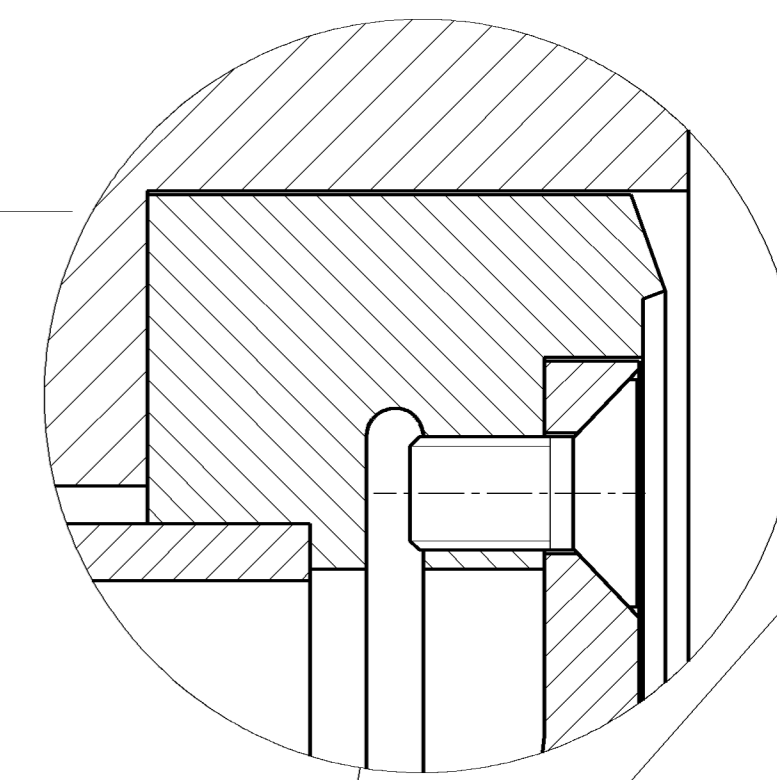
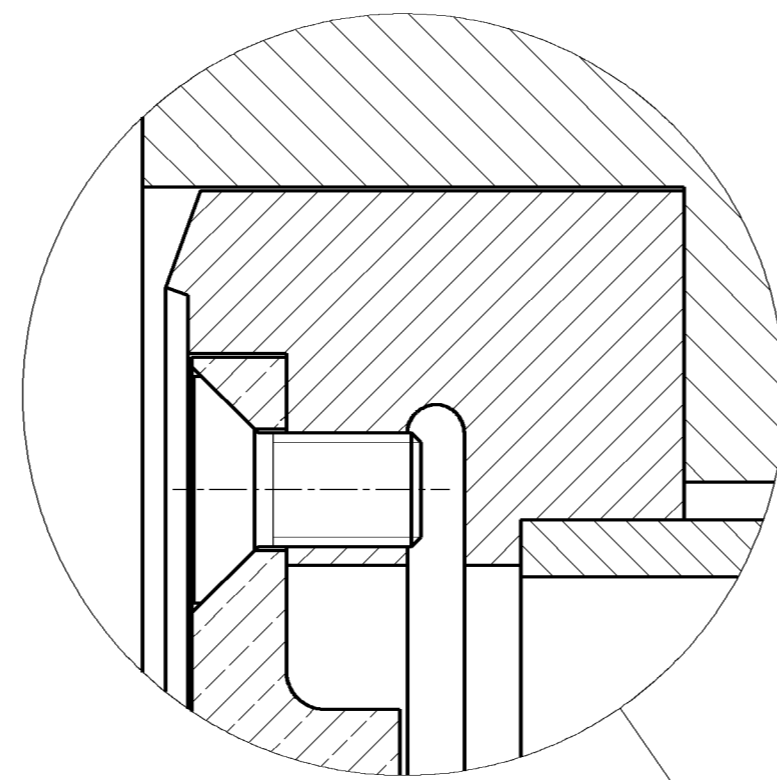
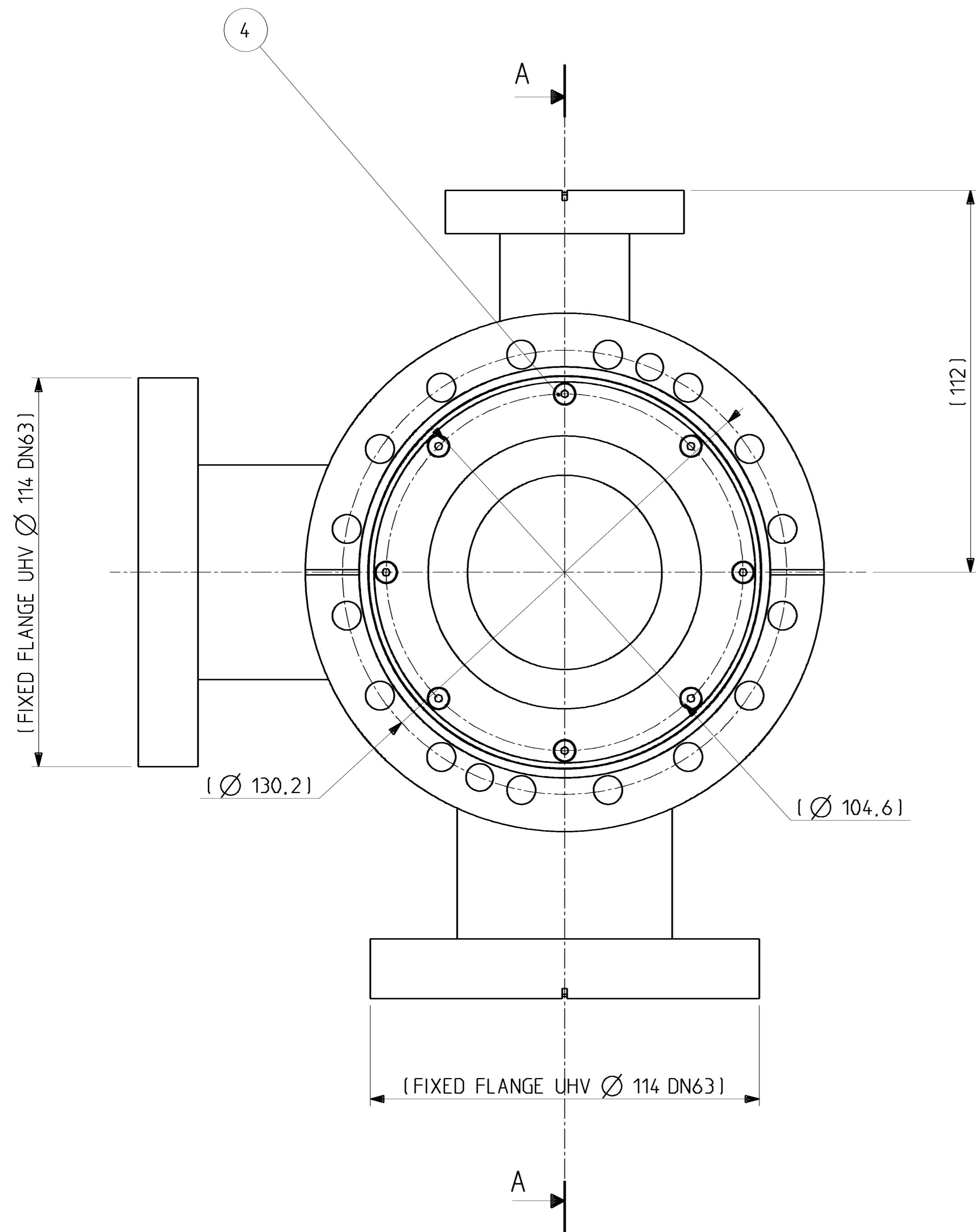


DETAIL ECH.5:1

DETAIL ECH.5:1



NORMAL OPERATING CONDITION:
 - WORKING PRESSURE
 EXTERNAL: Atmospheric
 INTERNAL: 10⁻¹ mbar
 - WORKING TEMPERATURE: 20° - 250° MASS : 7.8Kg

QUANT.	DESCRIPTION	POS.	MAT.	OBSERVATIONS	REF.CERN
1	Tension Spring	5		LHCVSR...0011	
16	HEX.COUNTERSUNK SCREW M3x6	4	stainless steel A4 Silver coated	Bossard BN4 719	
1	RF CONTACT Ø 80	3		LHCVSR...0005	
1	TRANS. TUBE FLANGE Ø 57/80R L2	2		LHCVSR...0193	
1	RIGHT WARM BELLOWS DN100 3 PORTS	1		LHCVBU...0010	

DES/DRA.	J VENTURINI	2006-04-05
CONTROLLED	L FAISANDEL	2006-04-12
RELEASED	A VIDAL	2006-04-12
APPROVED		
LHCVMZAF0000, V04-B, V04-B2200PL REPLACE/REPLACES		

RELEASED BY	FOR	UAI	SIZE	IND.
PROJECT ENGINEER	INFORMATION	-	LHCVMZAF0001	1

DESIGN, RIGIDITE, TOLERANCES SELON NORME ISO DRAWING, RUGOSITY, TOLERANCES ACCORDING TO ISO STANDARD
 PROJECTION
 ORGANISATION FOR EUROPEAN NUCLEAR RESEARCH
 Ce dessin ne peut être utilisé à des fins commerciales sans autorisation écrite.
 This drawing may not be used for commercial purposes without written authorisation.

IND.	DATE	NOM/NAME	ZONE	MODIFICATION