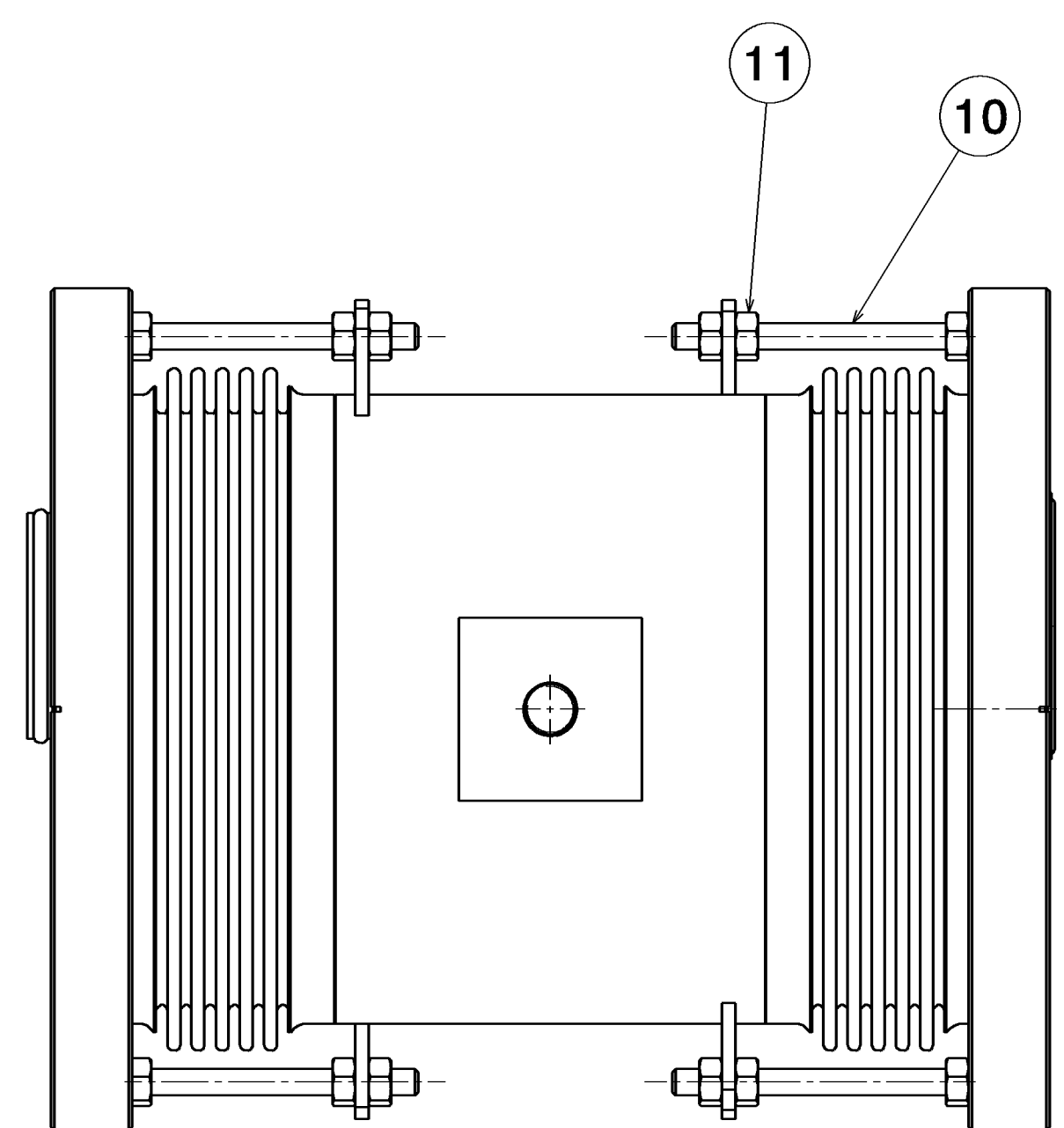
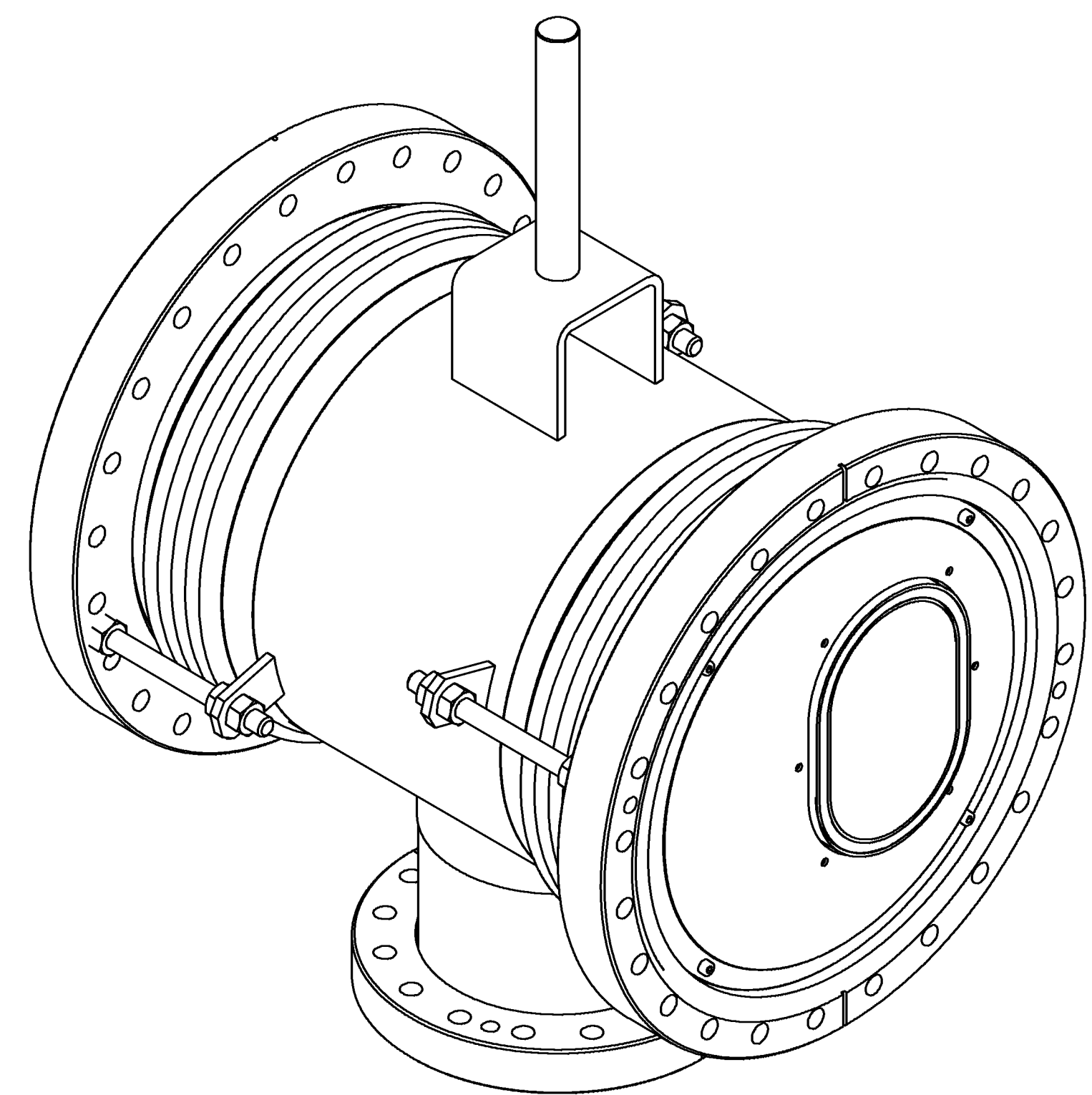
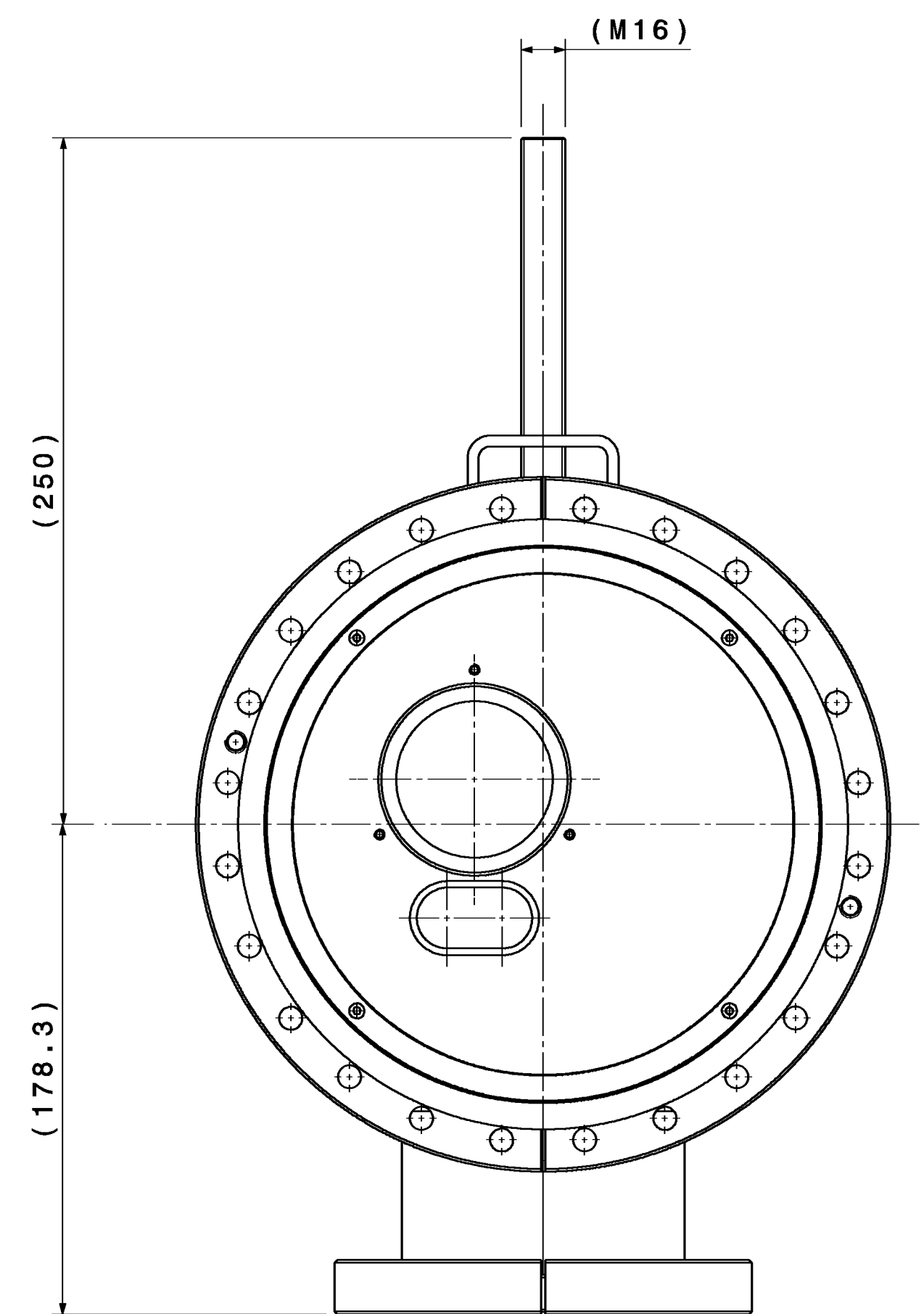


Section view A-A  
Scale: 1:2



Masse: 20kg  
Mass:

QUANT.	DESCRIPTION	POS	MAT.	OBSERVATIONS	REF. GERN
12	HEXAGONAL NUT 0.8d M8	11	ST. STEEL A4-70		47.43.77
	ECROU HEXAGONAL 0.8d M8		INOX A4-70		080.3
	THREADED ROD M8x110		Cr.Ni.18.12.Mo		47.38.77
4	TIGE FILETEE M8x110	10	Inox A4		080.0
	SOCKET HEAD SCREW M4x12	9	ST. STEEL A4-70		47.62.71
	VIS CHC M4x12		INOX A4-70		155.7
	SOCKET HEAD SCREW M3 x 6	8	ST. STEEL A4-70		47.62.71
	VIS CHC M3 x 6		INOX A4-70		102.0
2	RF CONTACT SS-11	7	Cu Be	FEUERHERDT	
1	SEPTUM-BYSS PUMPING MODULE - FLANGE INOX INSA-BYSS OUTPUT	6		LHCVMSI00005	
1	MODULE DE POMPAGE SEPTUM-BYSS - FLANGE INOX INSA-BYSS SORTIE				
1	SEPTUM-BYSS PUMPING MODULE - TUBE FOR RF FINGERS	5		LHCVMSI00006	
1	MODULE DE POMPAGE SEPTUM-BYSS - TUBE POUR DOIGTS RF				
1	Traction Spring Ø0.4 wire - Ø2ext	4	Stainless 1.4310	KUBO-TECH lenght 262mm	
	Ressort traction Ø0.4 fil - Ø2ext		Inox 1.4310	KUBO-TECH longueur 262mm	
1	SEPTUM-BYSS PUMPING MODULE - TUBE + RF FINGERS	3		LHCVMSI00008	
1	MODULE DE POMPAGE SEPTUM-BYSS - TUBE + DOIGTS RF				
1	SEPTUM-BYSS PUMPING MODULE - FLANGE INOX INSA-BYSS INPUT	2		LHCVMSI00004	
1	MODULE DE POMPAGE SEPTUM-BYSS - FLANGE INOX INSA-BYSS ENTREE				
1	SEPTUM PUMPING MODULE - ASSEMBLY BODY MSI	1		LHCVMSI00005	
1	MODULE DE POMPAGE SEPTUM - ASSEMBLAGE CORPS MSI				

ENS / ASS	S. ENS / S. ASS	LHCVMSIN0002
Injection Septum Pumping Module - INOX - 30mm length - Between BYSS		
ECHELLE SCALE 1:2		
DES/DRA. R. LEUNE 2006-11-28		
CONTROLLED J. LACROIX 2007-01-16		
RELEASED A. ROSSI 2007-02-01		
APPROVED LHCVMSINO\LHCVMSIN0001		
REPLACE/REPLACES		
PROJECT ENGINEER	FOR INFORMATION	DATE
LHCVMSIN0001		SIZE 1

ORGANISATION EUROPEENNE POUR LA RECHERCHE NUCLEAIRE  
 EUROPEAN ORGANIZATION FOR NUCLEAR RESEARCH  
 DESIGN, RUGOSITY, TOLERANCES DRAWINGS, ACCORDING TO ISO STANDARDS  
 DRESSING, RUGOSITY, TOLERANCES DRAWINGS, ACCORDING TO ISO STANDARDS  
 TRANSMISSION