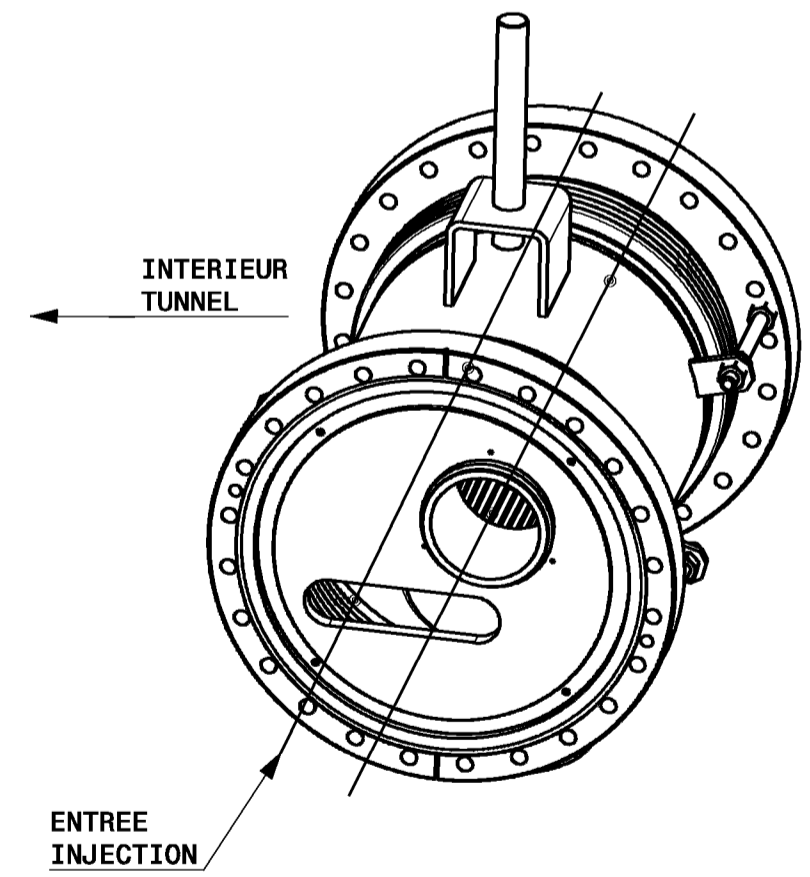
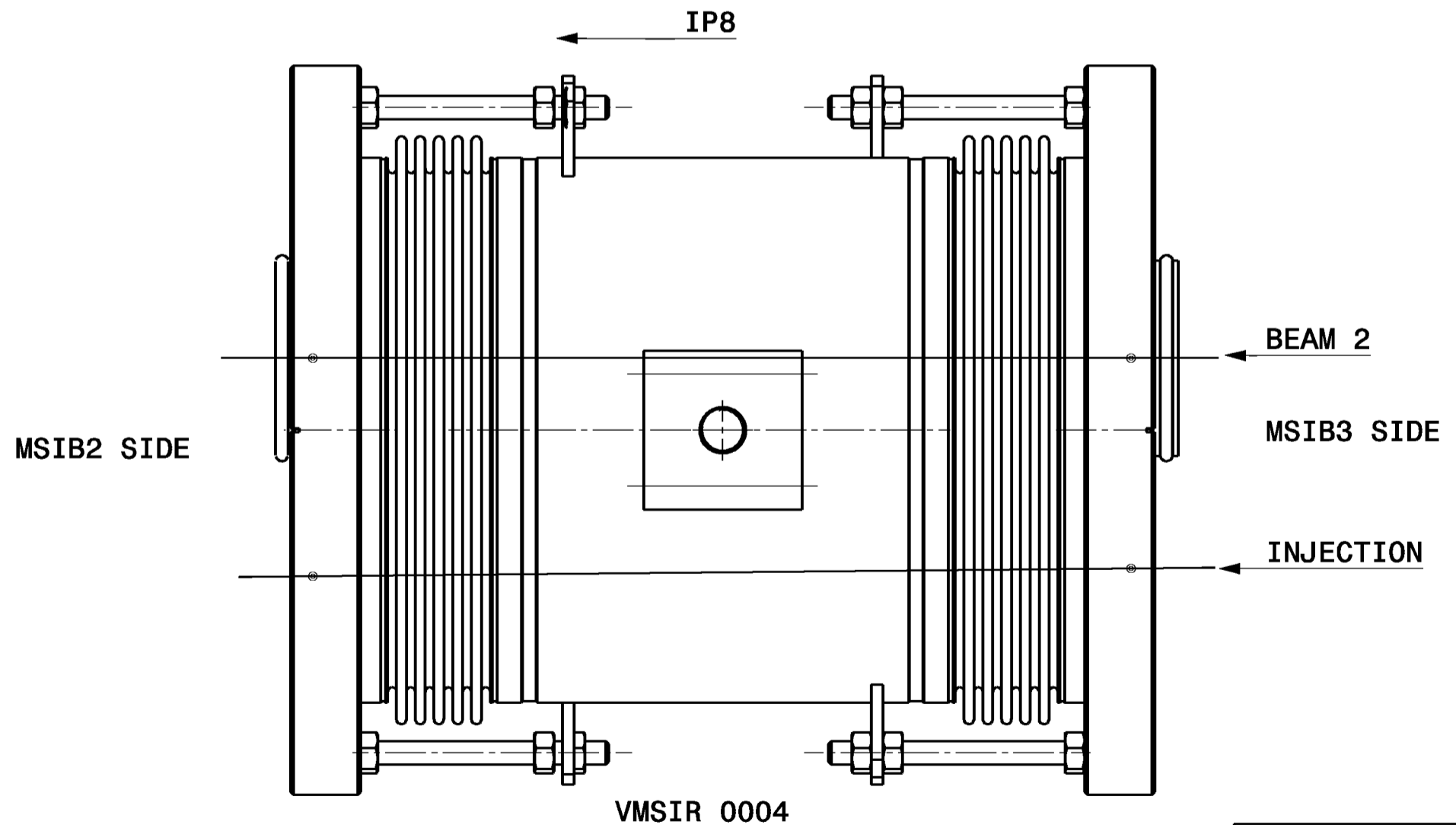
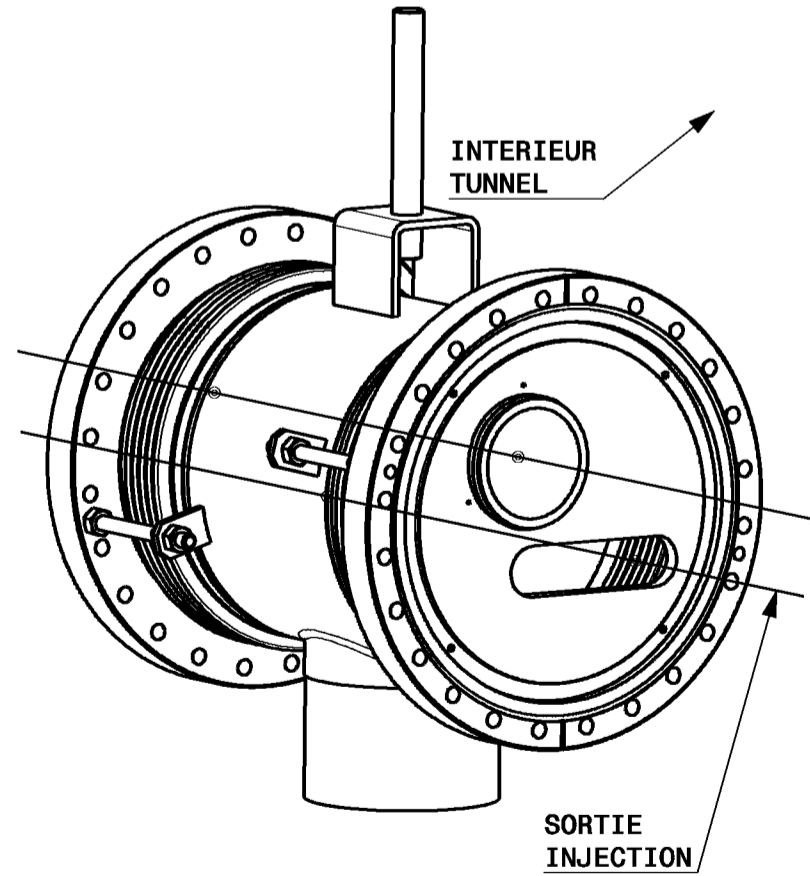
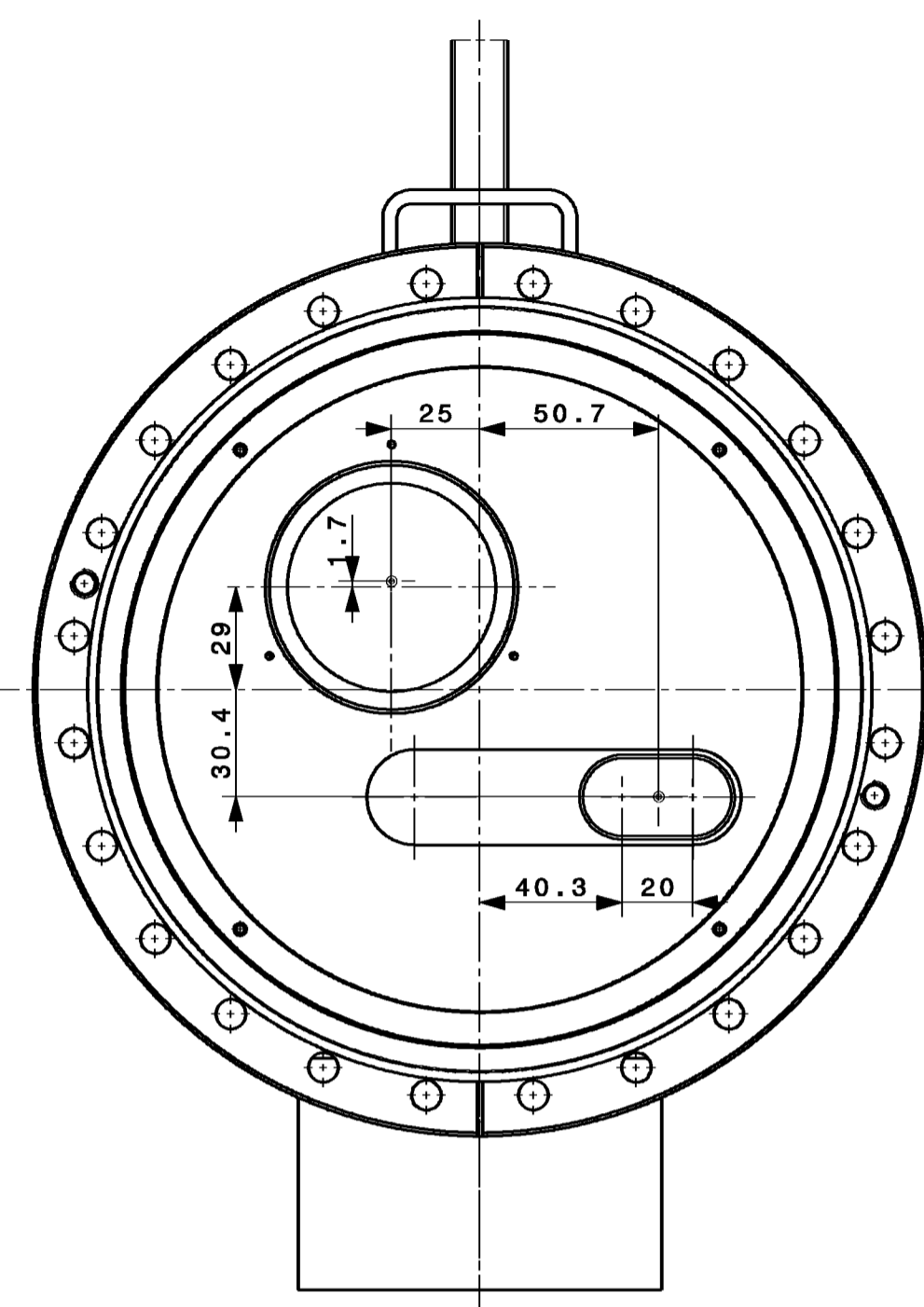
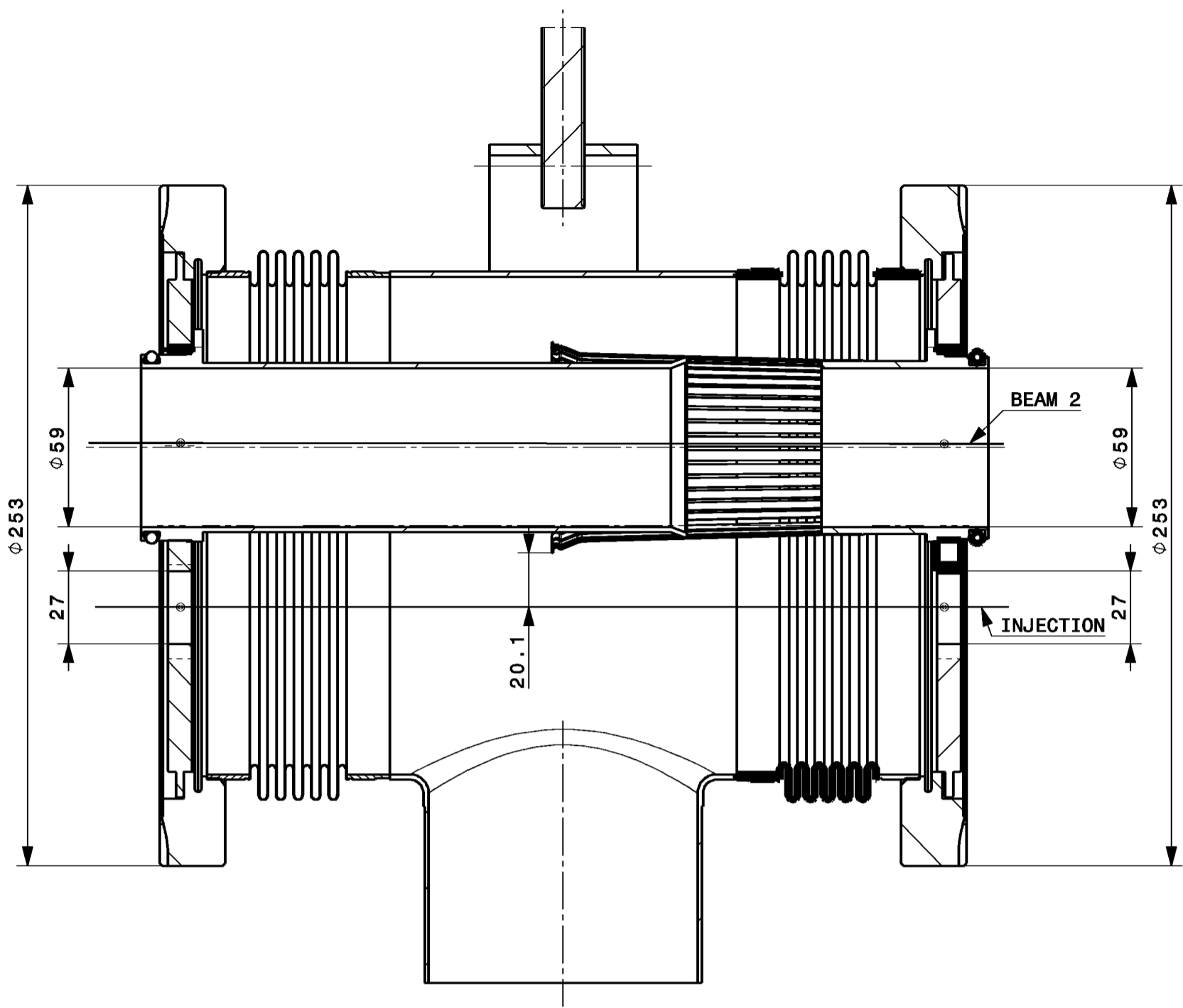
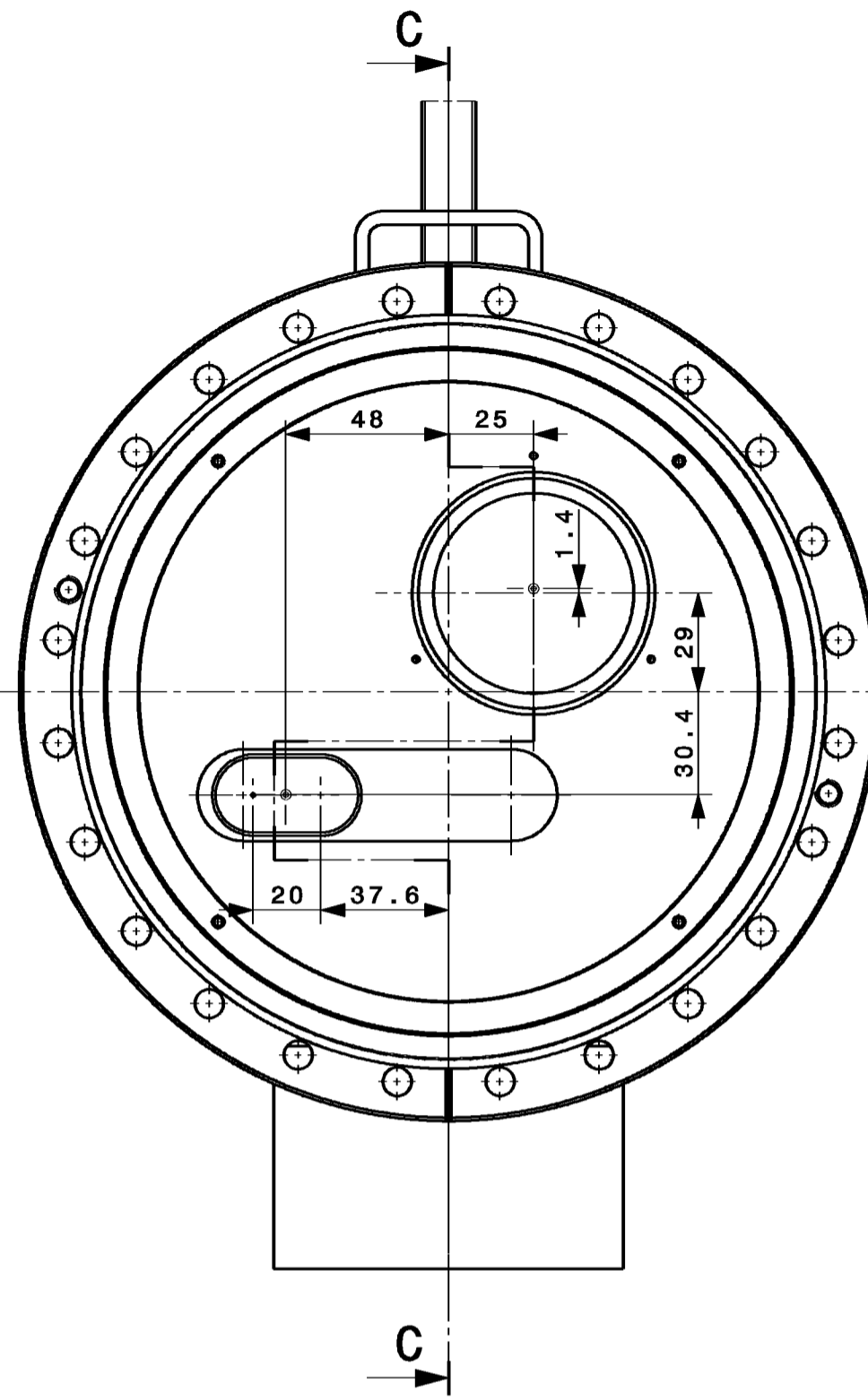


DESIGN RIGIDITY TOLERANCES  
 SELON NORMES ISO  
 DRAWING RIGIDITY TOLERANCES  
 ACCORDING TO ISO STANDARDS

ORGANISATION EUROPEENNE POUR  
 LA RECHERCHE NUCLEAIRE  
 EUROPEAN ORGANIZATION FOR  
 NUCLEAR RESEARCH  
 CERN

DESIGN IS NOT TO BE USED FOR  
 COMMERCIAL PURPOSES WITHOUT AUTHORIZATION



Injection Septum Pumping Module		DES/DRA.	A TURGUN	2012-02-10
T18-PLAN POSITION		CONTROLLED	Y MUTTONI	2012-03-21
LHCVMSIR0004/FAISCEAUX B2+INJECTION		RELEASED	G SCHNEIDER	2012-03-22
ENTRE MSIB3 ET MSIB2		APPROVED		
SCALE		CAD Document Number ST0318713_03		
1:2		REPLACES		
RELEASED BY	FOR INFORMATION	GAC	LHCVMSI_0008	
PROJECT ENGINEER		-	SIZE	IND.
			2	