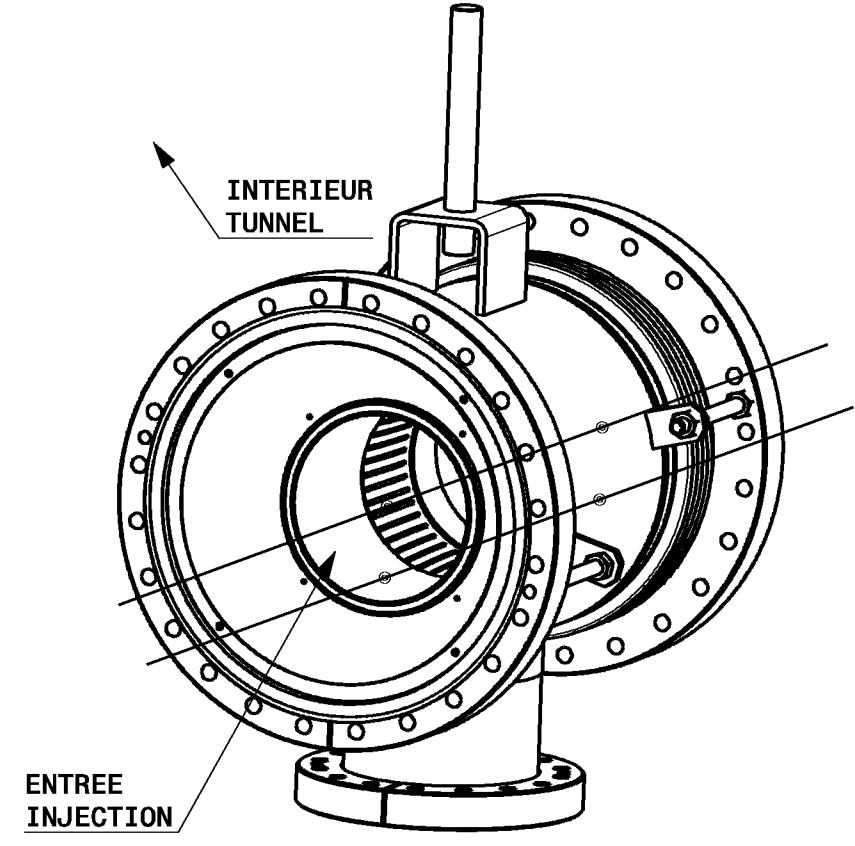
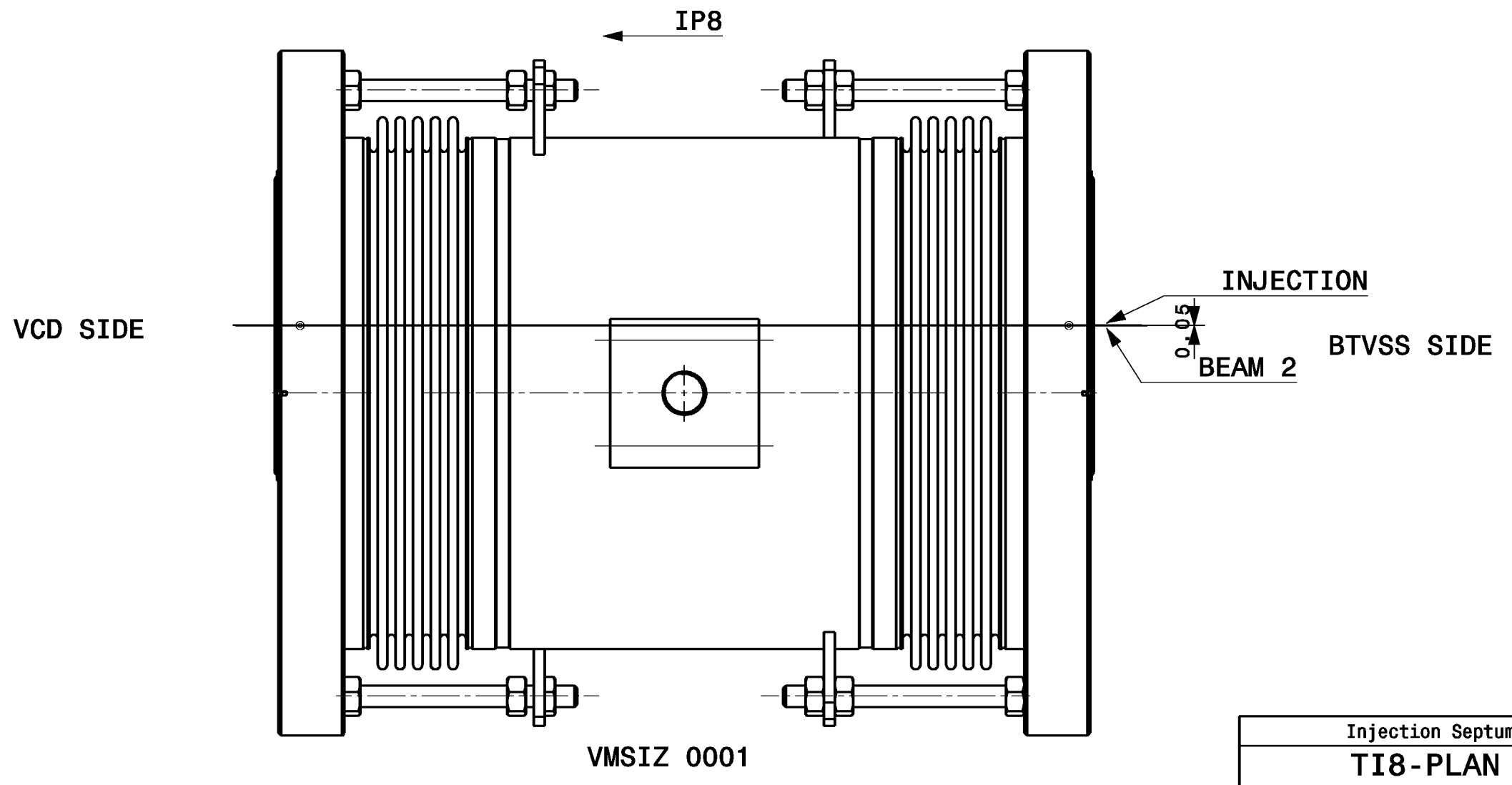
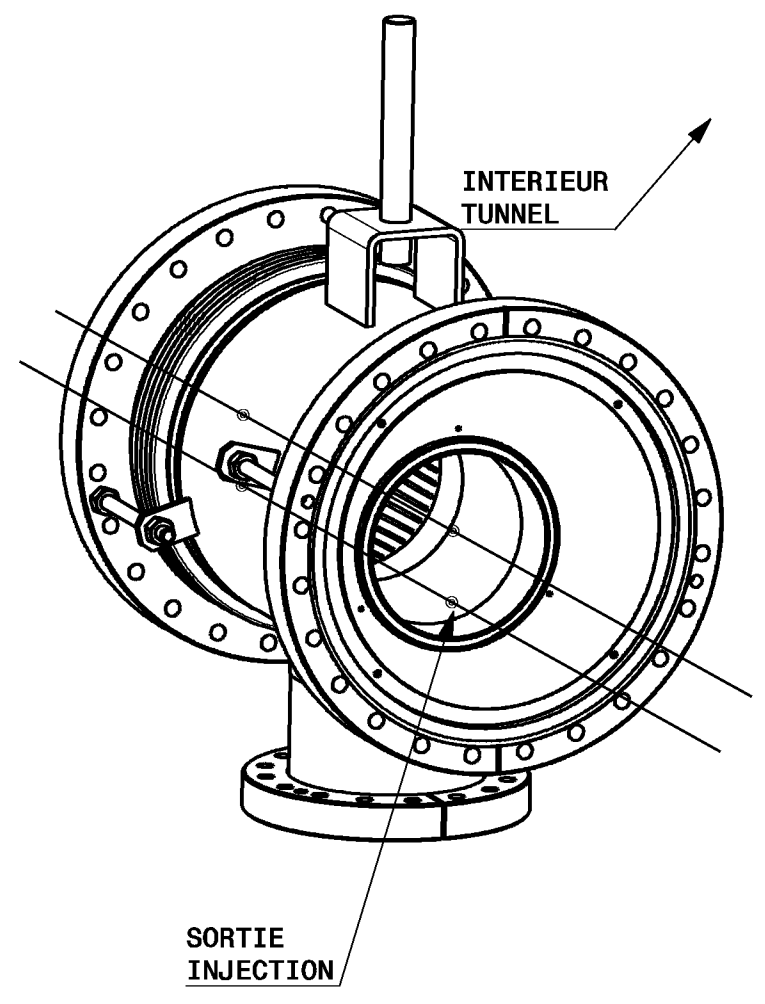
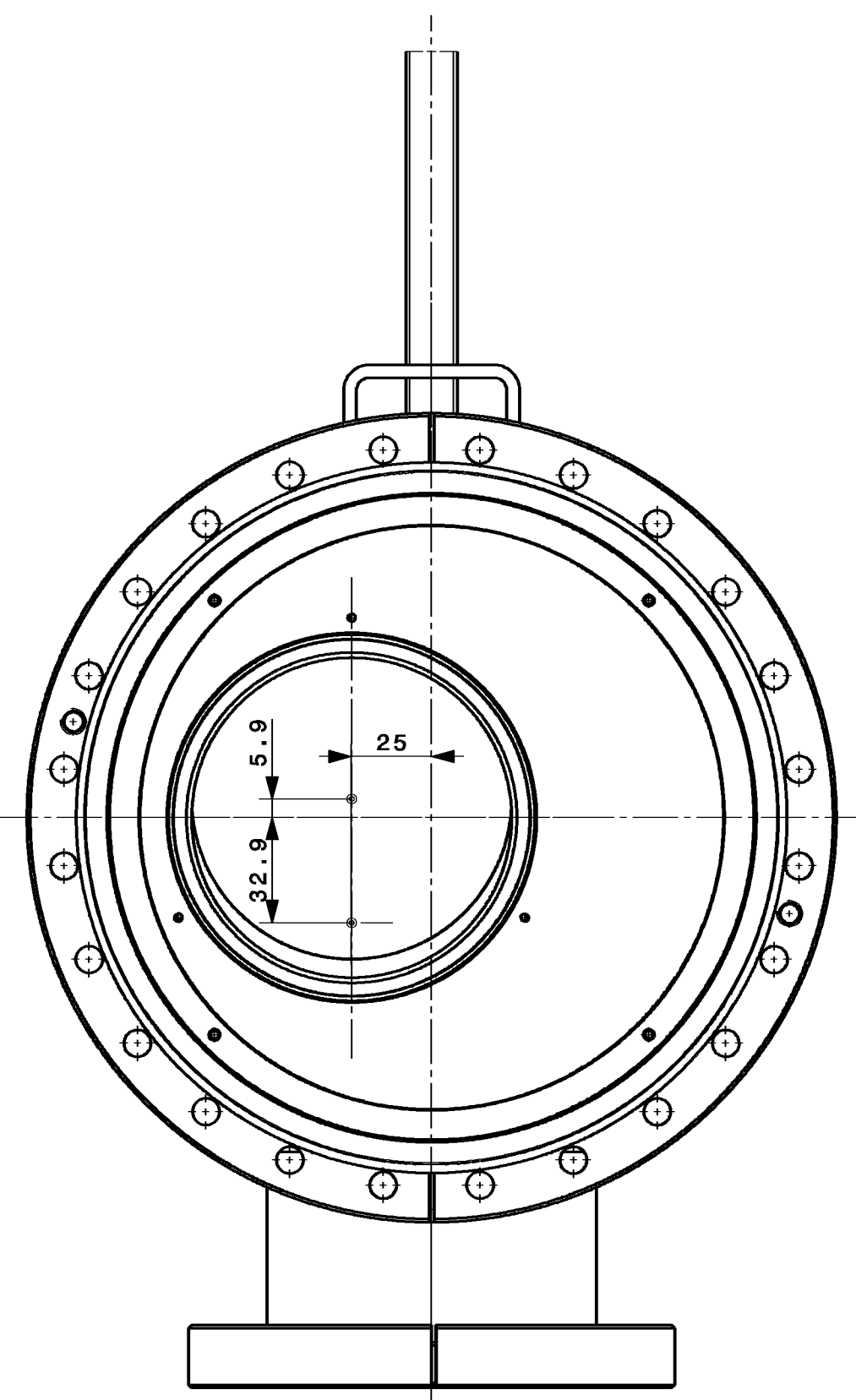
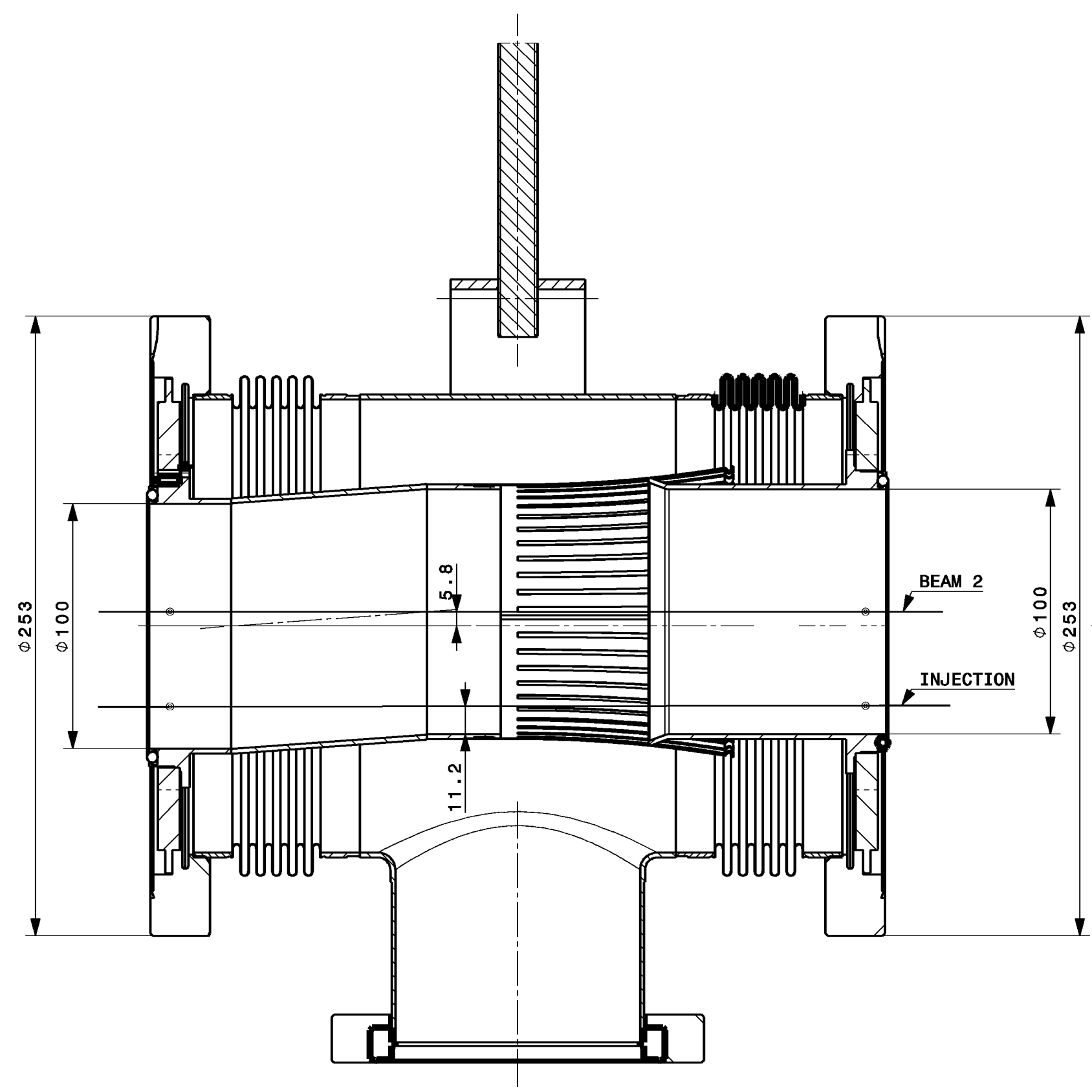
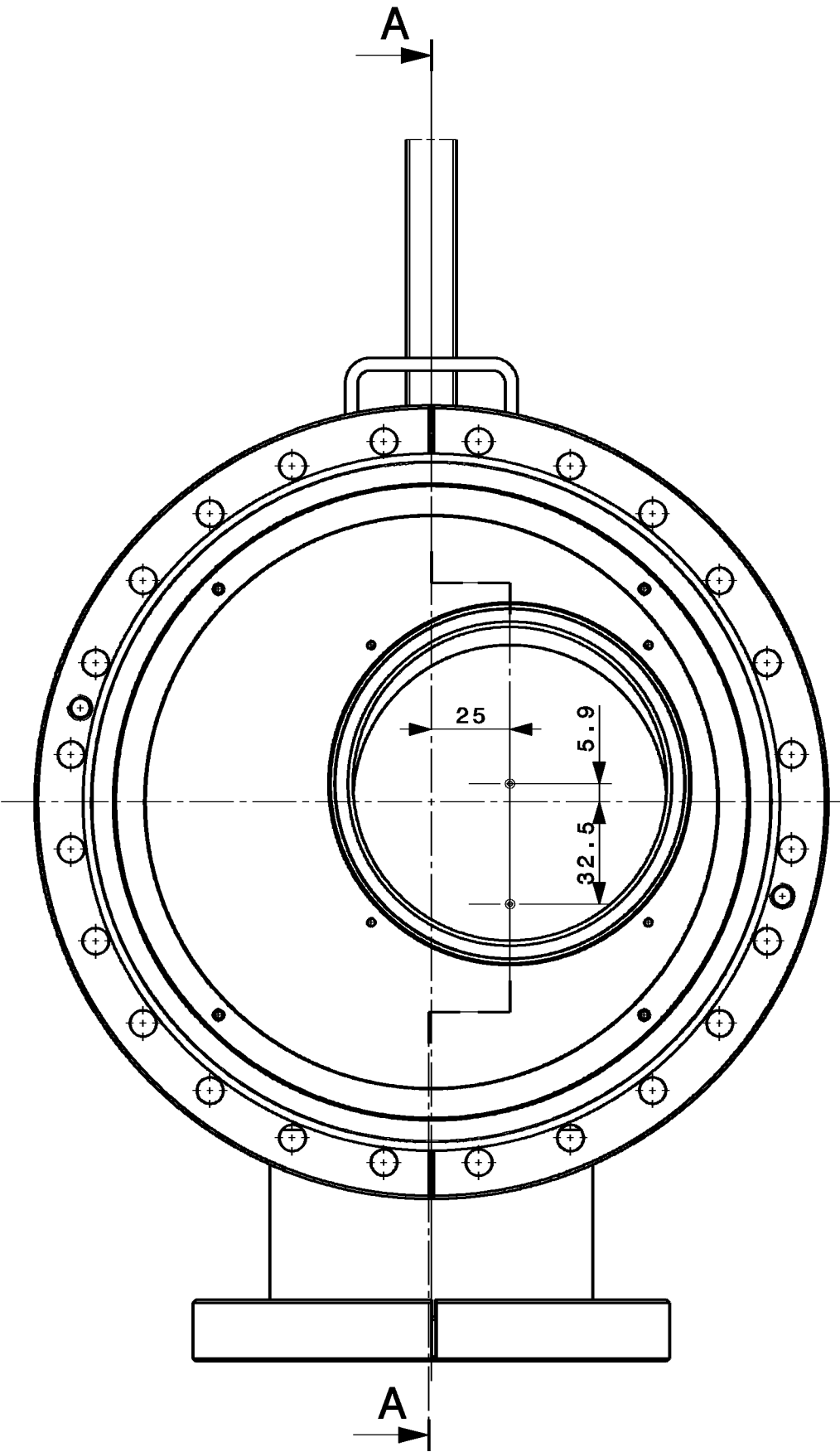


DESIGN, RIGIDITY, TOLERANCES
 SELON NORMES ISO
 DRAWING, RIGIDITY, TOLERANCES
 ACCORDING TO ISO STANDARDS

PROJECTION

ORGANISATION EUROPEENNE POUR
 LA RECHERCHE NUCLEAIRE
 EUROPEAN ORGANIZATION FOR
 NUCLEAR RESEARCH
 CERN
 Le dessin ne peut être utilisé à des fins commerciales sans autorisation écrite
 This drawing may not be used for commercial purposes without authorization



Injection Septum Pumping Module		DES/DRA.	A TURGUN	2012-02-10
T18-PLAN POSITION		CONTROLLED	Y MUTTONI	2012-03-21
LHCVMSIZ 0001/FAISCEAU B2+INJECTION		RELEASED	G SCHNEIDER	2012-03-22
ENTRE BTVSS ET VCD		APPROVED		
SCALE		CAD Document Number ST0318153_04		
1:2		REPLACES		
RELEASED BY	FOR	GAC	LHCVMSI_0007	SIZE IND.
PROJECT ENGINEER	INFORMATION	-	2	2