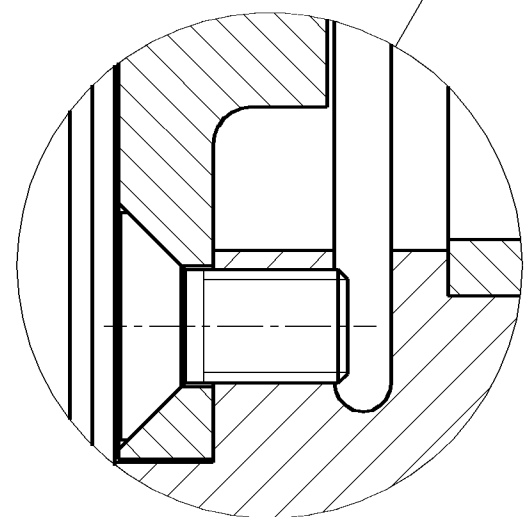
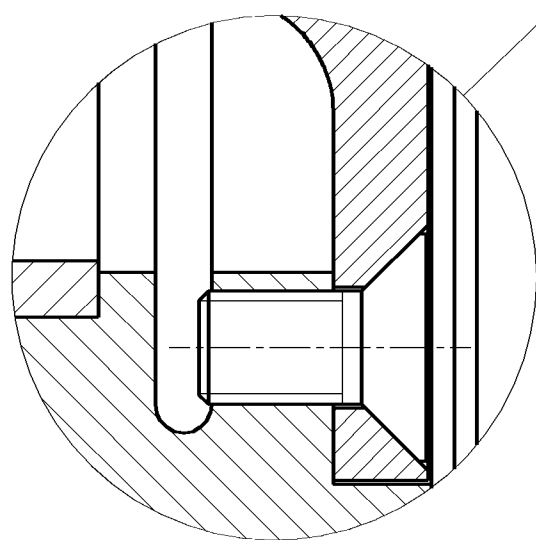


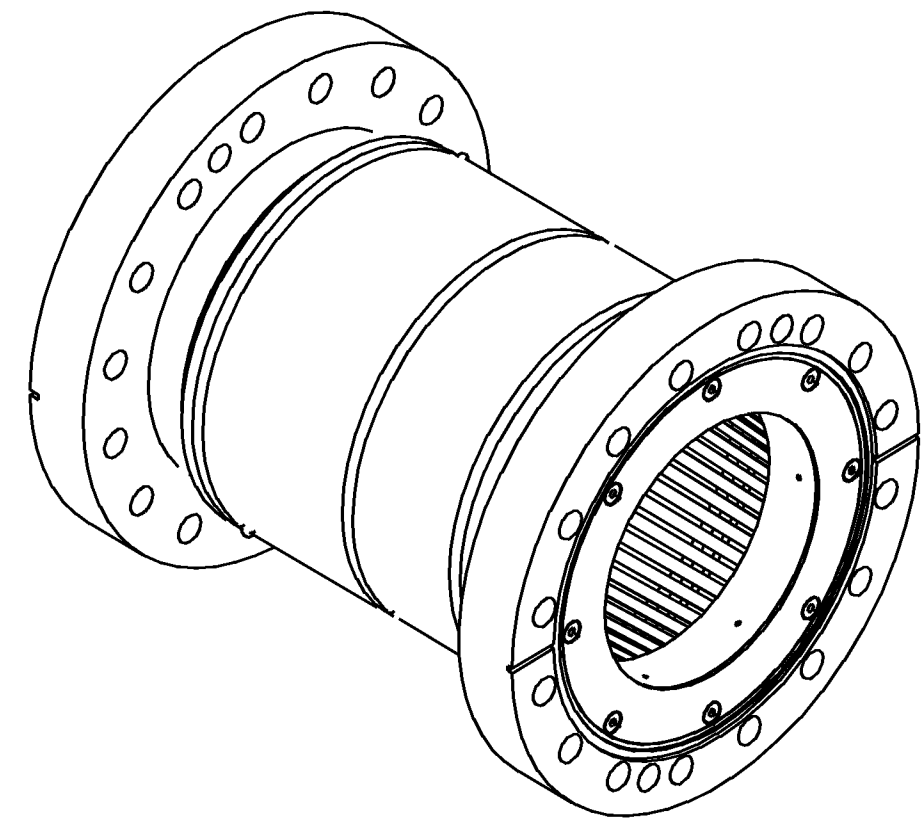
DETAIL ECH.5:1



DETAIL ECH.5:1



180 ± 1.5 (FREE LENGTH)



NORMAL OPERATING CONDITION:

- _ WORKING PRESSURE
- EXTERNAL: Atmospheric
- INTERNAL: 10^{-10} mbar
- _ WORKING TEMPERATURE: 20° - 250°

MASS : 3.7Kg

QUANT	DESCRIPTION	POS	MAT.	OBSERVATIONS	REF.CERN
1	Tension spring	5		LHCVSR__0011	
16	HEX.COUNTERSUNK SCREW M3x6	4	Stainless steel A4 SILVER COATED	BOSSARD BN4 719	
1	TRANS. TUBE FLANGE Ø 80/103.5	3		LHCVSR__0065	
1	RF CONTACT Ø 80	2		LHCVSR__0005	
1	WARM BELLOWS DN100 WITHOUT PORT	1		LHCVBU__0012	
	ENS./ASS.		S.ENS/S.ASS.		

Warm Modules - Body DN100/_20 - Insert 63/80R - No Ports		ECHELLE SCALE	DES/DRA.	J VENTURINI	2004-08-24
WARM MODULE TYPE VMCA		1:1	CONTROLLED	L FAISANDEL	2004-08-25
			RELEASED	A VIDAL	2004-08-25
			APPROVED	-	-
			LHCV,VM,...WARMMOD000,V048,V0482060PL		
			REPLACE/REPLACES		
CERN	UNDER APPROVAL	FOR INFORMATION	GAC A	LHCVMCA0002	SIZE 2 IND.

DESSIN, RUGOSITE, TOLERANCES
SECON NORME ISO
DRAWING, RUGOSITY, TOLERANCES
ACCORDING TO ISO STANDARD

PROJECTION

ORGANISATION EUROPEENNE POUR
LA RECHERCHE NUCLEAIRE
EUROPEAN ORGANIZATION FOR NUCLEAR RESEARCH
GENEVE
Ce dessin ne peut être utilisé à des fins commerciales sans autorisation écrite.
This drawing may not be used for commercial purposes without written authorisation.

IND.	DATE	NOM/NAME	ZONE	MODIFICATION
11				
10				
9				
8				
7				
6				
5				
4				
3				
2				
1				