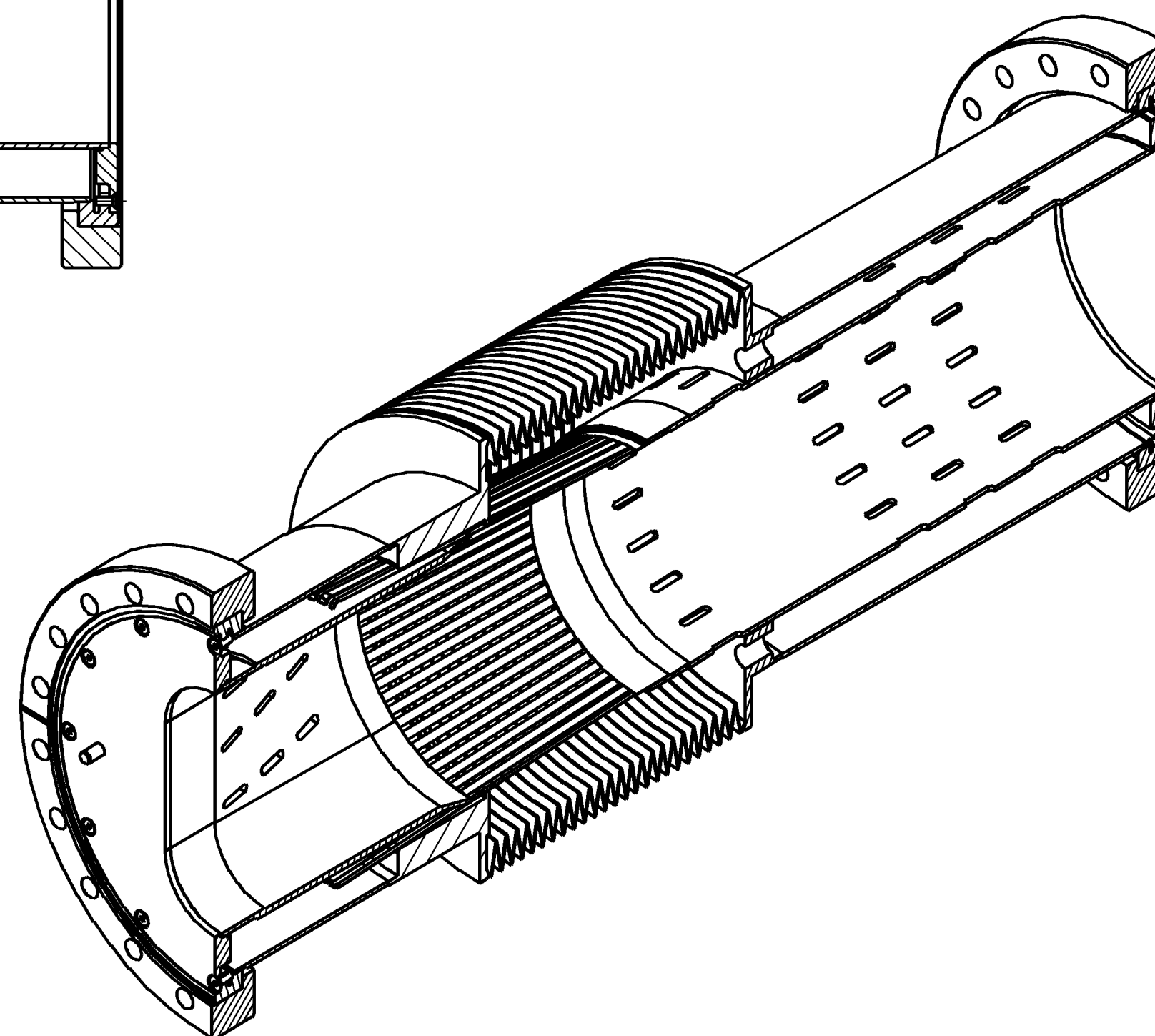
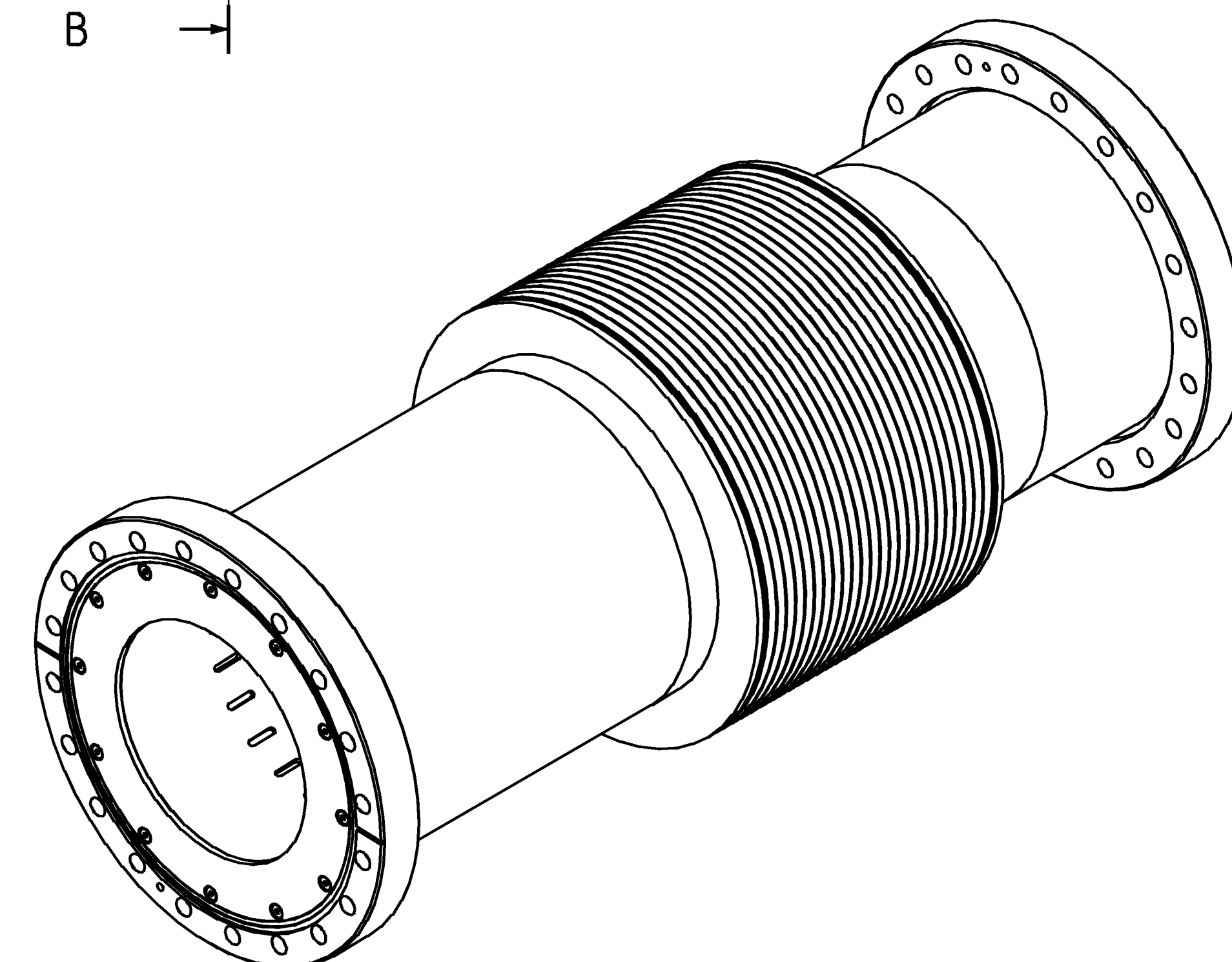
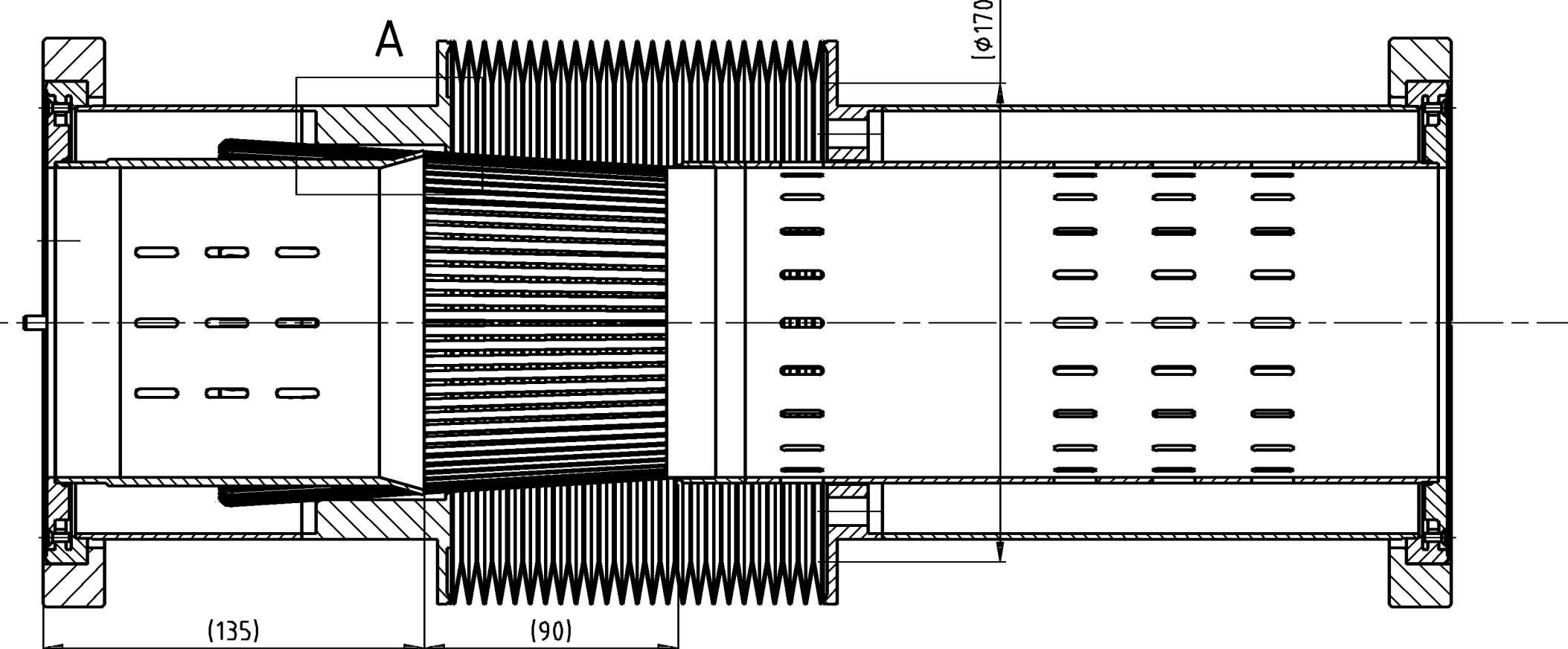


B-B



QUANT	DESCRIPTION	POS	MAT.	OBSERVATIONS	REF.CERN
2	PARALLEL PIN $\phi 5h8$ L12	5	STAIN STEEL A4-70		
24	HSCH SCREW M3x8	4	$\exists 16LN$		47.62.42 008.8
1	RF CONTACT	3	STAIN STEEL A4	LHCVMTAB0004	
1	TRANSITION	2		LHCVMTAB0003	
1	EXTERNAL ENVELOP	1		LHCVMTAB0002	

Collimator Pumping Module - QCF150/QCF150 - Race Track (110/521/110)		ECHELLE SCALE 1:2	DES/DRA. CONTROLLED RELEASED APPROVED	J. KOTILA B. RIFFAUD J. JIMENEZ -	2006-07-03 2006-07-03 2006-07-04 -
TCOQ - WARM MODULE $\pm 20MM$ ASSEMBLY			LHCVMTAB0001		
TCOQ - SOUFFLET $\pm 20MM$ ENSEMBLE			REPLACE/REPLACES		

RELEASED BY PROJECT ENGINEER	FOR EXECUTION	DATE -	SCALE -	IND 1
---------------------------------	------------------	-----------	------------	----------

ORGANISATION EUROPEENNE POUR LA RECHERCHE NUCLEAIRE  
 EUROPEAN ORGANIZATION FOR NUCLEAR RESEARCH  
 LE DESSIN NE PEUT ETRE UTILISE A DES FINS COMMERCIALES SANS AUTORISATION ECRITE  
 THE DRAWING MAY NOT BE USED FOR COMMERCIAL PURPOSES WITHOUT WRITTEN AUTHORIZATION  
 DESSIN RIGORISTE, TOLERANCES SELON NORMES ISO  
 DRAWING RIGIDITY, TOLERANCES ACCORDING TO ISO STANDARDS  
 PROJECTION

IND.	DATE	NOM/NAME	ZONE	MODIFICATION